

UniDIN™

DIN Rail Mounting Bracket Kit User Manual

OVERVIEW

The Universal DIN Rail Mounting Bracket provides DIN Rail capabilities for the FlexPoint media converters, FlexPoint media converters with DC Adapter, OmniConverter media converters, iConverter standalone media converters and iConverter 1-module chassis. This kit contains all the necessary components to provide DIN Rail mounting for several different mounting orientations.

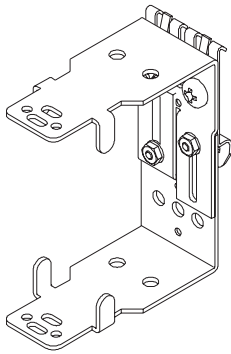


Figure 1. Pre-assembled Configuration - Mounting Orientation [B]

MOUNTING ORIENTATIONS

This diagram illustrates a converter in four different DIN Rail mounting orientations. As shipped from the factory, the UniDIN is ready to be used in configuration [B].

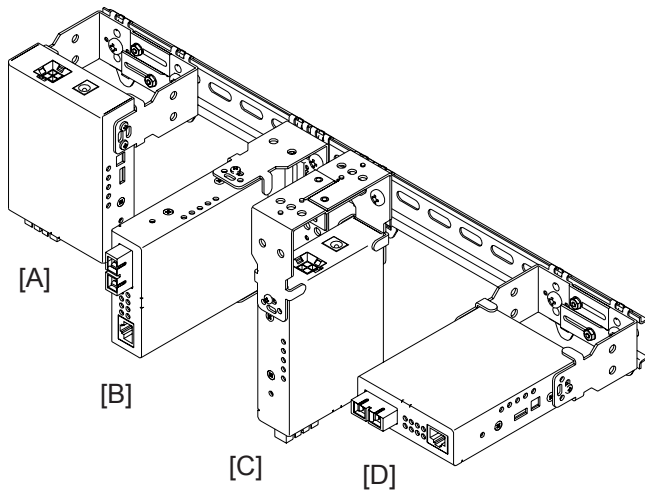
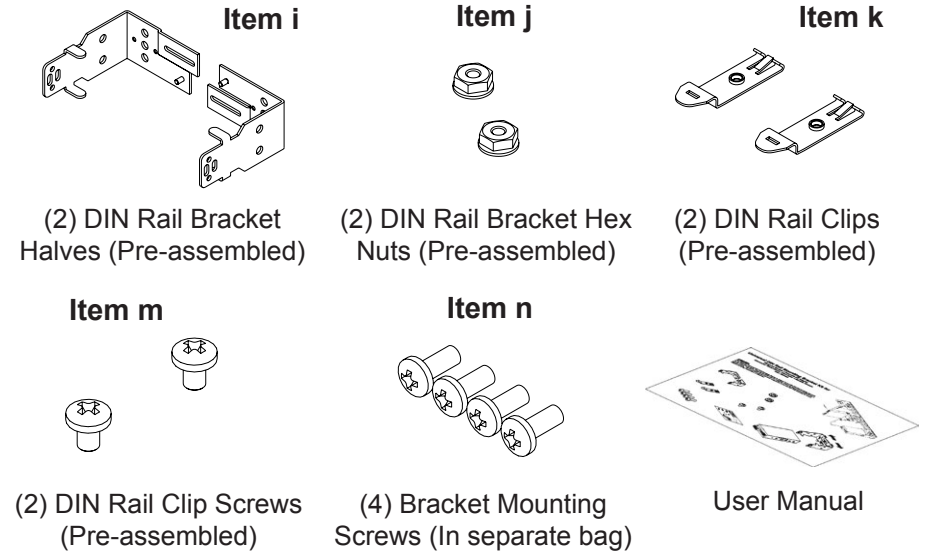


Figure 2. Mounting Orientations

PACKAGE CONTENTS



ASSEMBLY AND MOUNTING INSTRUCTIONS

STEP 1. Adjusting Bracket Width

If bracket width adjustment is necessary, loosen the hex nuts (j) on the DIN Rail bracket (i) and align the DIN Rail bracket width to match the width of the media converter. After adjusting the DIN Rail bracket to the desired width, tighten the hex nuts (j) to lock the DIN Rail bracket width.

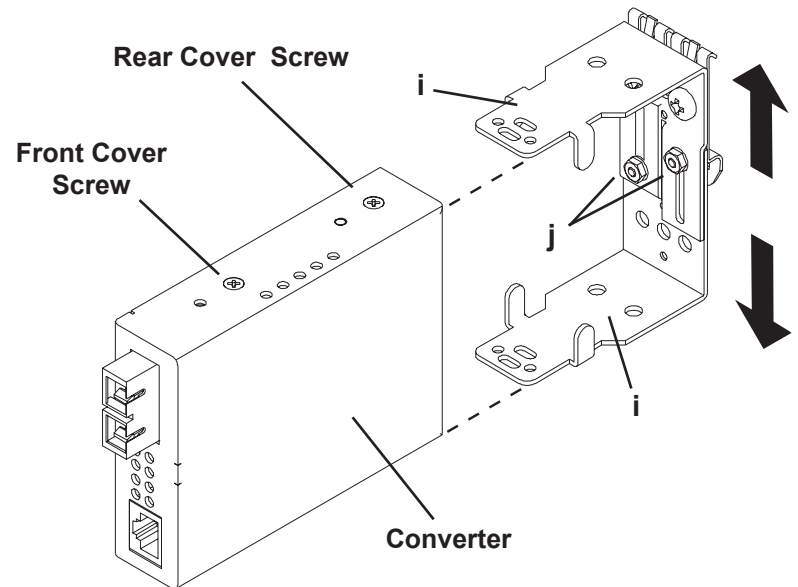


Figure 3. Adjusting Bracket Width to Match Width of Media Converter

STEP 2. Optional Orientation Reconfiguration

If the desired mounting orientation is other than [B] as illustrated in Fig. 2, remove the DIN Rail clips (**k**) from the bracket by removing the DIN Rail clip screws (**m**). Determine the desired DIN Rail mounting orientation from the Figure 2, and match the corresponding DIN Rail clip orientation in Figure 4. Attach the DIN Rail clips (**k**) to the DIN Rail bracket holes in the DIN Rail Bracket (**i**) and secure the DIN Rail clips (**k**) with DIN Rail clip screws (**m**).

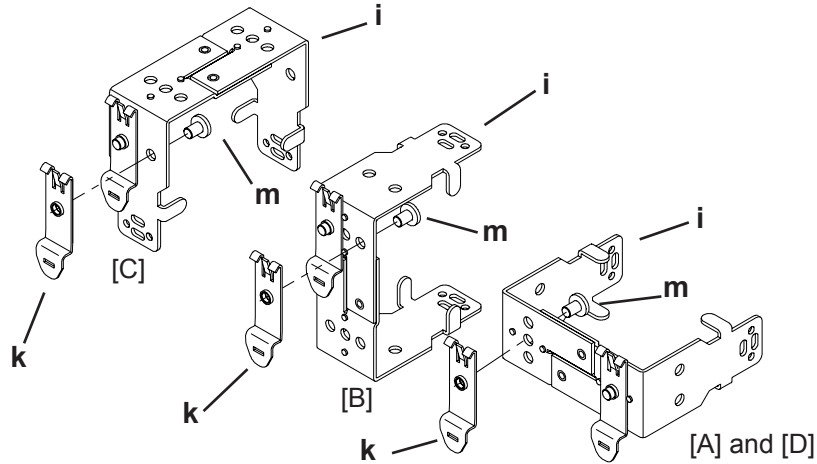


Figure 4. Configuring Clip Mounting Orientation

STEP 3. Attaching Bracket to Converter

Remove the rear cover screws from the media converter casing. Align the media converter to the bracket mounting holes that correspond with desired orientation, then insert and fasten the supplied bracket mounting screws (**n**) to secure the media converter to the DIN Rail bracket (**i**).

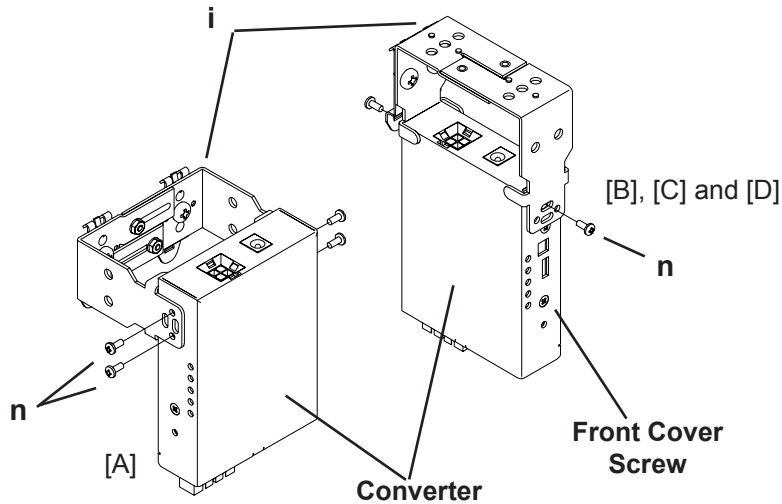


Figure 5. Attaching Bracket to Converter

STEP 4. Mounting Converter to the DIN Rail

Attach the assembly to the DIN Rail, by aligning the hooks on the DIN Rail clip (**k**) to the upper edge of the DIN Rail. Rotate the assembly downward until the DIN Rail clip tab engages and snaps to the bottom edge of the DIN Rail. Note that the tab on the DIN Rail clip should always attach to the bottom of the DIN Rail. Connect the external power supply to the rear of the installed media converter.

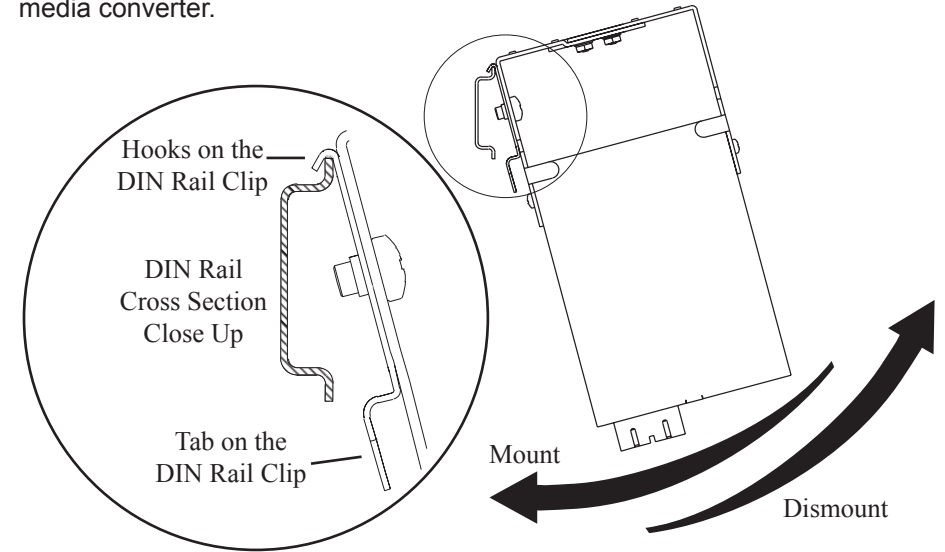


Figure 6. Mounting/Dismounting Converter to/from DIN Rail

Dismounting from DIN Rail

To remove the converter assembly from the DIN Rail, hold the converter and rotate upward to disengage the clip.

TECHNICAL SUPPORT:

For help with this product, contact our Technical Support:
Omnitron Systems Technology, Inc.
Phone: (949) 250-6510 Fax: (949) 250-6514
Address: 38 Tesla, Irvine, CA 92618 USA
Email: support@omnitron-systems.com
URL: www.omnitron-systems.com