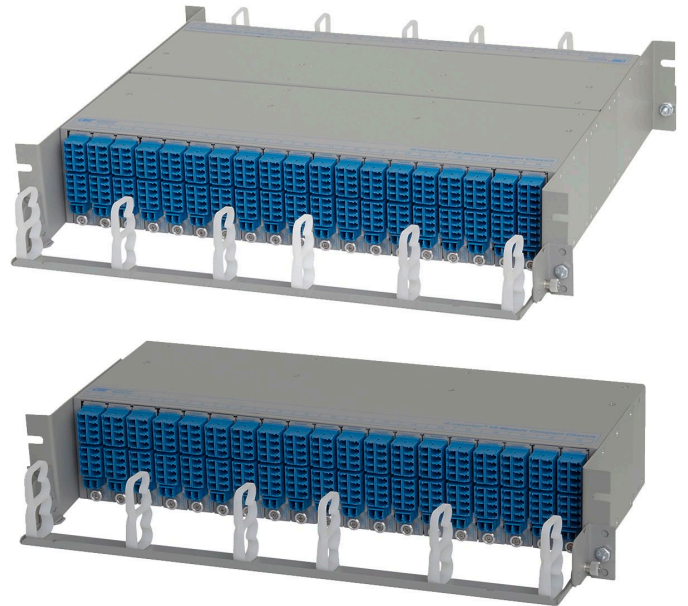


iConverter® 19-Module Compact Chassis **38-Module Dual Chassis and 19-Module Single Chassis**

The iConverter 19-Module Compact Chassis provides an innovative approach to increase the number of CWDM or DWDM connections in a 2U (3.5 inch) high rack space. The short chassis design allows two chassis to be connected back-to-back supporting up to 38 CWDM or DWDM modules. This configuration provides up to 684 connectors or up to 608 simplex channels or 304 duplex channels.

The 19-Module Compact Chassis is designed for passive iConverter CWDM/DWDM modules that do not require power. The Chassis can be ordered as a single, front-loading chassis or as a dual front and rear loading chassis kit. The single chassis supports up to 19 modules and the dual chassis kit supports up to 38 modules. The single chassis can be upgraded to support rear loading by ordering another single chassis and optional coupling brackets.

This unique design allows the modules to be installed in the front or rear chassis providing the ideal configuration for high-density CWDM/DWDM fiber distribution applications.



The top image depicts a dual, front and rear loading chassis, and the lower image depicts a single, front-loading chassis. Both are shown with optional CWDM modules and Cable Management Kit (ordered separately).

SPECIFICATIONS

Description	19-Module Compact Chassis	
Module Capacity	8210-1:	19
	8210-2:	38
Dimensions W x D x H	8210-1:	17.15" x 6.0" x 3.5" (435.6 mm x 152.4 mm x 88.9 mm)
	8210-2:	17.15" x 12.0" x 3.5" (435.6 mm x 304.8 mm x 88.9 mm)
Weight	8210-1:	7.1 lbs. (3.22 kg)
	8210-2:	14.5 lbs. (6.58 kg)
Humidity	5 to 95% (non-condensing)	
Altitude	-100m to 4,000m	
Warranty	Lifetime warranty with product registration	

KEY FEATURES

- The iConverter Compact Chassis provides high-density, CWDM/DWDM fiber distribution
- Available as a single, front-loading chassis or as a dual front and rear loading chassis
- Can be installed in 19" and 23" racks
- Made in the USA
- Lifetime Warranty and free 24/7 Technical Support

APPLICATION EXAMPLES

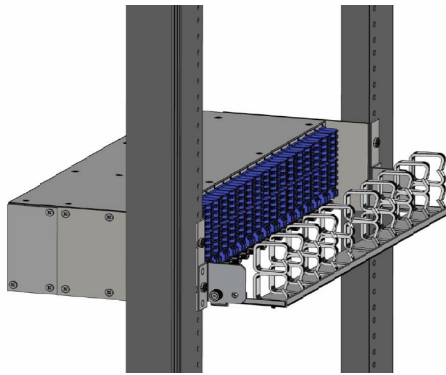


Figure 1

Single, front-loading chassis with optional CWDM modules and Cable Management Kit installed in a 19" rack.

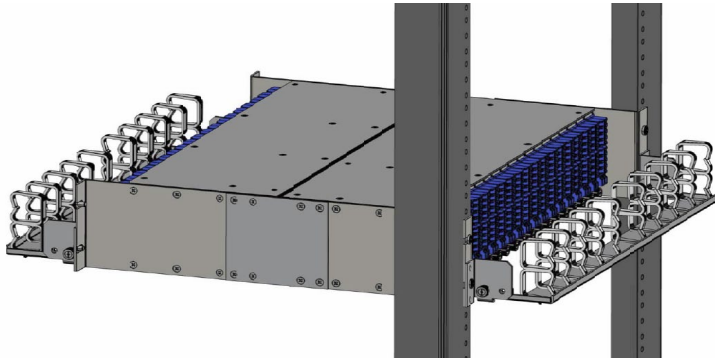


Figure 2

Dual, front and rear loading chassis with optional CWDM modules and two Cable Management Kits installed in a 19" rack.

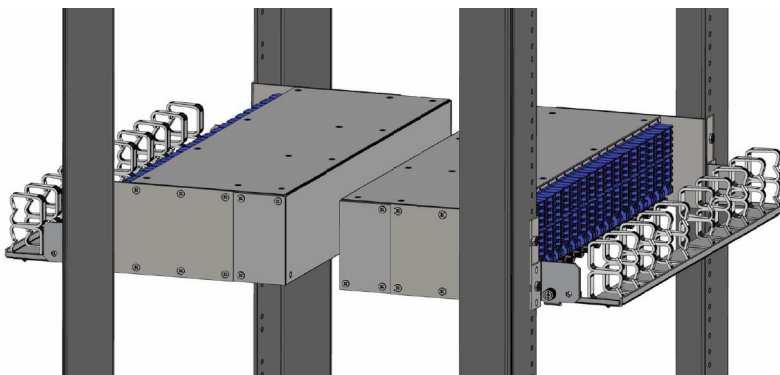


Figure 3

Two single, front-loading chassis mounted independently with optional CWDM modules and Cable Management Kits installed back-to-back in a 19" rack with front and rear rails.

ORDERING INFORMATION

iConverter Compact Chassis	
Model Number	Description
8210-1	Single Front-Loading 19-Module Compact Chassis with two 19" Rack Mount Brackets
8210-2	Dual Front and Rear Loading 19-Module Compact Chassis Kit with four 19" Rack Mount Brackets and two Coupling Brackets

Accessories	
Model Number	Description
8097-2	Coupling Brackets (set of 2)
8091-2	23" Rack Mount Brackets (set of 2)
8095-1	19" Rack Mount Cable Management Kit*
8095-2	23" Rack Mount Cable Management Kit*

* See [Cable Management Kit data sheet](#) for ordering information.

© 2021 Omnitron Systems Technology, Inc. All rights reserved. *iConverter* is a registered trademark of Omnitron Systems Technology, Inc. Trademarks are owned by their respective companies. Specifications subject to change without notice.

