

iConverter® GX/TM2

10/100/1000 Copper to Gigabit Fiber Media Converter and Network Interface Device

The iConverter GXTM2 is a carrier-grade Network Interface Device (NID) that provides 10/100/1000 copper to Gigabit Ethernet fiber media conversion with integrated management.

For Service Providers, the GXTM2 NID provides MEF 9, 14 and 21 certified demarcation of Carrier Ethernet E-Line services.

For Enterprise and Government and Utility networks, the GXTM2 enables secure demarcation and management for mission-critical applications delivered over fiber infrastructure.

The integrated management eliminates the cost and space required for external management hardware. The integrated management provides comprehensive remote configuration and performance monitoring.

The GXTM2 supports IPv4 addressing, IP-Less protocol using the 802.3ah OAM channel, SNMPv1/v2c/v3, Telnet and serial console port.

The IP address is user-defined or can be resolved through DHCP. Telnet and serial console management interfaces are supported, and utilize an easy-to-use, menu-driven interface. The serial interface provides local configuration access.

SNMP management is available via Omnitron's NetOutlook® SNMP Network Management Software with an intuitive Graphical User Interface, or third party SNMP software.

The GXTM2 models are available with ST, SC and LC fixed-fiber connectors supporting multimode dual fiber, single-mode dual fiber and single-mode single-fiber options. The GXTM2 Small Form Pluggable (SFP) model supports a wide variety of Gigabit SFP transceivers in standard, CWDM and DWDM wavelengths.

The RJ-45 port supports 10/100/1000 and Half/Full-Duplex auto-negotiation and Pause control, with both hardware and software manual override controls. The module supports frame sizes up to 10,240 bytes.

The GXTM2 features multiple, user-selectable link fault detection modes, including Link Fault Propagation, Remote Fault Detection and Asymmetrical Fault Detection. These Link Modes provide rapid fault detection and isolation by monitoring the state of the copper and fiber ports, and operate independently of the network management.

The GXTM2 Network Interface devices are available as compact, managed standalone units, or chassis plug-in modules. The plug-in module can manage other modules in the same chassis and operate as a managed 10/100/1000 media converter.



SFP not included

KEY FEATURES

- Carrier-Grade optical Ethernet Network Interface Device
- Integrated IPv4, SNMPv1/v2c/v3, Telnet and IP-less 802.3ah management
- SNMP management via NetOutlook® provides real-time port and module status information, configuration and trap notification
- 802.3ah Link OAM for early fault detection and performance monitoring
- Fixed fiber port supports multimode and single-mode dual fiber with ST, SC and LC connectors; and single-mode single-fiber with SC connectors
- Supports dual fiber and single-fiber Gigabit SFP transceivers for standard, CWDM or DWDM wavelengths
- RJ-45 port supports 10/100/1000 and Half/Full-Duplex auto-negotiation and MDI/MDIX auto-crossover
- 10,240 byte Jumbo frames
- Supports 802.1ad Q-in-Q, QoS, Port Access Control and MIB statistics
- Bandwidth control (rate limiting) with 64Kb increments
- Configurable Link Fault Propagation modes
- Commercial (0 to 50°C), wide (-40 to 60°C) and extended (-40 to 75°C) temperature ranges
- MEF 9, 14 and 21 Certified and NEBS Level 3 Compliant
- Made in the USA
- Lifetime Warranty and free 24/7 Technical Support

The hot-swappable plug-in module can be mounted in a high-density 19 or 5-Module chassis with redundant AC and DC power supplies. It can also be mounted in a 2-Module or in a 1-Module chassis with AC or DC power input.

The plug-in module features two Ethernet backplane ports for connectivity to adjacent modules in a chassis for multi-port and multi-service configurations.

The GXTM2 standalone unit is available with an external AC to DC power adapter or with a 2-pin terminal connector for direct connection to DC power. The standalone module can be DIN-Rail mounted using the optional DIN-Rail mounting bracket (8250-0), DIN-Rail Mounting Clips (8251-0) and wall mounted.

The GXTM2 standalone unit combines management capability with a compact chassis for deployment at the demarcation point.

ADDITIONAL FEATURES

IEEE 802.3ah Operations, Administration and Maintenance

The GXTM2 supports the IEEE 802.3ah Link OAM standard with Fault Detection, Performance Monitoring and Remote Loopback for Ethernet in the First Mile (EFM) access links.

Fault Detection

The GXTM2 detects and indicates link faults, dying gasp and other critical events. Dying gasp is supported on all standalone models and plug-in models when installed in a 1-Module or 2-Module chassis with dying gasp support. The GXTM2 also supports Unidirectional Link Fault Detection that indicates faults in either direction of the fiber link.

Performance Monitoring

802.3ah Performance Monitoring tools are used for the detection and notification of link performance (quality) faults. Ethernet data performance can deteriorate slowly over time, and the GXTM2 allows the setting of error-per-second thresholds with event notification for early indication of issues that may be resolved prior to loss of service.

Remote Loopback

Remote Loopback is used for fault localization and link performance testing. When a GXTM2 port is in loopback mode, all received link traffic is looped back and transmitted back unaltered. The statistics from the GXTM2 port and the remote link partner can be compared for consistency.

VLAN with 802.1ad Q-in-Q and QoS for E-Line services

The GXTM2 supports the IEEE 802.1Q tag VLAN tagging and untagging (including Q-in-Q tunneling and 802.1ad service provider tag) and the 802.1p Quality of Service priority standards.

VLAN 802.1ad tunneling technology enables service providers to offer their customers E-Line services. The 802.1p Quality of Service (QoS) prioritization enables delivery of high-priority, real-time applications such as voice and video over Ethernet.

Port Bandwidth Control and Port Access Control

The enhanced Bandwidth Control feature controls bandwidth between the fiber and RJ-45 ports in 64Kbps increments from 64K to Full Line Speed.

The GXTM2 features Port Access Control which blocks user service while maintaining the network link. Port Access Control enables for easy disabling or enabling of customer service and provides the capability to improve network security by controlling port access when the port is not in use.

Port Statistics and Optical Performance Statistics

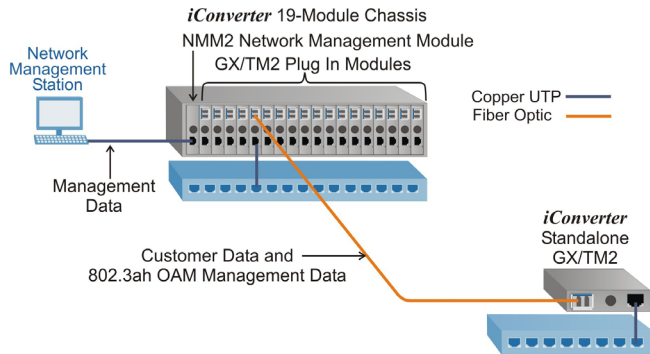
The GXTM2 supports reporting of utilization, port and optical performance statistics. Additionally, full optical performance statistics are available on SFP fiber transceivers with a digital diagnostic interface.

Port and optical performance statistics reporting provides the ability to monitor customer bandwidth utilization, network performance and the link signal quality for each individual port.

APPLICATIONS

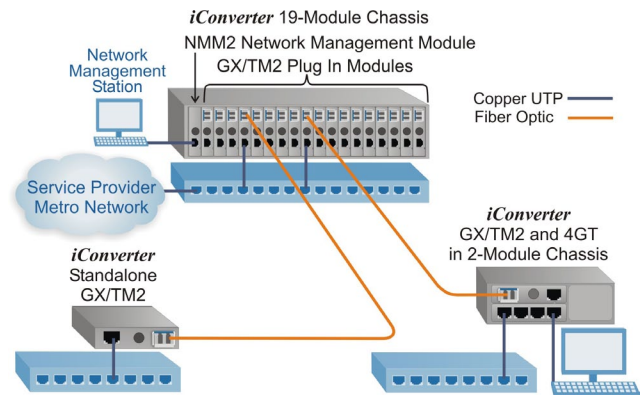
Secure IP-less Management

iConverter GXTM2 plug-in modules are installed in the 19-Module chassis, and connected via the fiber link to a standalone GXTM2 module. An Network Management Module (NMM2) is installed in the 19-Module chassis providing an IP-less management channel between the GXTM2 link partners. The management data is encrypted and isolated from the customer data, protecting the management from unauthorized access. The IP address for this chassis configuration reside only on the NMM2, and does not exist on the customer network.



Securely Managed Access Network

iConverter GXTM2 plug-in modules are installed in a managed iConverter 19-Module chassis for high-density fiber distribution from UTP switch equipment. At Customer Premises on the right, a GXTM2 plug-in module and an iConverter 4GT four-port switch module are installed in a 2-Module chassis, and share data via the Ethernet Backplane. This configuration provides a remotely managed demarcation switch with a fiber uplink port and five copper ports that drop off Ethernet services. At Customer Premises on the left, the GXTM2 standalone NID provides a fiber uplink to a single copper port for intelligent demarcation of Ethernet services.



SPECIFICATIONS

Description	
iConverter GXTM2 10/100/1000BASE-T Copper to Gigabit Fiber Media Converter and Network Interface Device	
Standard Compliances	IEEE 802.3, 802.1Q, 802.1p, 802.1ad, 802.3ah RFC 2819 (RMON), 2863, 2131 MEF 9, 14, 21
Regulatory Compliances	UL, CE, FCC Class A, NEBS Level 3
Environmental	RoHS, WEEE, REACH
Port Types	Copper: 10/100/1000BASE-T (RJ-45) Fiber: 1000BASE-X Dual Fiber (ST, SC, LC, SFP) 1000BASE-BX Single-Fiber (SC, SFP) Serial: RS-232 (Mini DIN-6 female) Mini DIN-6 to DB-9 adapter included
Cable Types	Copper: EIA/TIA 568A/B, Cat 5 UTP and higher Fiber: Multimode: 50/125µm, 62.5/125µm Single-mode: 9/125µm Serial: RS-232, 22 to 24 AWG, 12 to 50 pF/ft
AC Power Requirements	AC Adapter: (US) 100 - 240VAC/50 - 60Hz 0.08A @ 120VAC (max)
	AC Adapter: (Universal) 100 - 240VAC/50 - 60Hz 0.08A @ 120VAC (max)
DC Power Requirements	DC Input: (Backplane) 3.3VDC, 1.1A @ 3.3VDC
	DC Input: (Terminal Block) +8 to +15VDC, 0.6A @ 9VDC 2-Pin Terminal (non-isolated)
	DC Input: (AC Adapter) +8 to +15VDC, 0.6A @ 9VDC 2.5mm Barrel Connector

Management	IPv4, Telnet, SNMPv1, SNMPv2c, SNMPv3, Serial Console	
Frame Size	Up to 10,240 bytes	
Dimensions W x D x H	Plug-in:	0.85" x 4.5" x 2.8" (21.6 mm x 114.3 mm x 71.1 mm)
	Standalone:	3.1" x 4.8" x 1.0" (78.74 mm x 121.92 mm x 25.4 mm)
	w/mounting brackets:	3.8" x 4.8" x 1.0" (96.5 mm x 121.9 mm x 25.4 mm)
Weight	Plug-in:	8 oz. (226.8 grams)
	Standalone w/o Adapter:	1.0 lb. (453.6 grams)
	Standalone w Adapter:	1.5 lbs. (680.4 grams)
Temperature	Commercial:	0 to 50°C
	Wide:	-40 to 60°C
	Extended:	-40 to 75°C
	Storage:	-40 to 80°C
Humidity	5 to 95% (non-condensing)	
Altitude	-100m to 4,000m	
MTBF (hrs)	Plug-in:	450,000
	Standalone w/o Adapter:	450,000
	Standalone w/ US Adapter:	250,000
	Standalone w/ Uni Adapter:	100,000
Warranty	Lifetime warranty with 24/7/365 free Technical Support	

ORDERING INFORMATION

Fiber Type	Distance	Connector Type				Tx / Rx Wavelength (nm)	Min. Tx Power (dBm)	Max. Tx Power (dBm)	Min. Rx Power (dBm)	Max. Rx Power (dBm)	Min. Attenuation (dB)	Link Budget (dB)
		ST	SC	LC	SFP							
-	-	-	-	-	8939N-0-pt	-	-	-	-	-	-	
MM/DF	220 / 550m ¹	8920N-0-pt	8922N-0-pt	8926N-0-pt	-	850 / 850	-10	-4	-17	-3	-	7
MM/DF	2km	-	8922N-6-pt	-	-	1310 / 1310	-9.5	-3	-19.5	-3	-	10
SM/DF	12km	8921N-1-pt	8923N-1-pt	8927N-1-pt	-	1310 / 1310	-9.5	-3	-19.5	-3	-	10
SM/DF	34km	-	8923N-2-pt	-	-	1310 / 1310	-5	0	-23	-3	3	18
SM/DF	80km	-	8923N-3-pt	-	-	1550 / 1550	-5	0	-23	-3	3	18
SM/DF	110km	-	8923N-4-pt	-	-	1550 / 1550	0	5	-24	-3	8	24
SM/DF	140km	-	8923N-5-pt	-	-	1550 / 1550	2	5	-28	-8	13	30
SM/SF ²	20km	-	8930N-1-pt	-	-	1310 / 1550	-9.5	-3	-20	-3	-	10.5
SM/SF ²	20km	-	8931N-1-pt	-	-	1550 / 1310	-9.5	-3	-20	-3	-	10.5
SM/SF ²	40km	-	8930N-2-pt	-	-	1310 / 1550	-3	0	-20	-3	3	17
SM/SF ²	40km	-	8931N-2-pt	-	-	1550 / 1310	-3	0	-20	-3	3	17
SM/SF ²	20km	-	8932N-1-pt	-	-	1310 / 1490	-9	-3	-21	-3	-	12
SM/SF ²	20km	-	8933N-1-pt	-	-	1490 / 1310	-9	-3	-21	-3	-	12

¹ 62.5/125µm, 100/140µm multimode fiber up to 220m. 50/125µm multimode fiber up to 550m.

² When using single-fiber (SF) models, the Tx wavelength on one end has to match the Rx wavelength on the other.

MM = Multimode, SM = Single-mode, DF = Dual Fiber, SF = Single-fiber

Base Model Number: 89xxN-x-pt

Select the model from ordering table above.

Add power option (p) and operating temperature range (t) to the model selected.

Power Options (p):

<left blank> = Plug-in Module

A = Barrel Connector and AC/DC Power Adapter, 100-240VAC, 50-60Hz, with US power cord without integrated mounting brackets

D = Barrel Connector and AC/DC Power Adapter, 100-240VAC, 50-60Hz, with US power cord with integrated mounting brackets

B = Barrel Connector and Universal AC/DC Adapter, 100-240 VAC, 50-60Hz, No Power Cord, without integrated mounting brackets

E = Barrel Connector and Universal AC/DC Adapter, 100-240 VAC, 50-60Hz, No Power Cord, with integrated mounting brackets

C = Direct DC input, 2 pin terminal connector, no AC/DC power adapter, without integrated mounting brackets

F = Direct DC input, 2 pin terminal connector, no AC/DC power adapter, with integrated mounting brackets

Operating Temperature Options (t):

<leave blank> = Commercial temperature (0 to 50°C)

W = Wide temperature (-40 to 60°C)

Z = Extended temperature (-40 to 75°C)

Contact Omnitron for other fiber options. Order the appropriate Gigabit SFPs separately. [Visit the Omnitron Optical Transceivers web page.](#)

For chassis options, see [iConverter Chassis Overview web page.](#)

Accessories

Model Number	Description
8250-0	DIN Rail Mounting Bracket for standalone models without integrated mounting brackets
8251-0	DIN Rail Mounting Clips for standalone models with integrated mounting brackets
8260-0	19" 1U Rack Mount Shelf for standalone models (up to 4 converters)



© 2022 Omnitron Systems Technology, Inc. All rights reserved. iConverter and NetOutlook are Registered Trademarks of Omnitron Systems Technology, Inc. Trademarks are owned by their respective companies. Specifications are subject to change without notice.

