

### RuggedNet® GPoE+/Si

#### Unmanaged Industrial 6 and 10 Port PoE/PoE+ Gigabit Ethernet Switch

The RuggedNet GPoE+/Si is a ruggedized unmanaged PoE and PoE+ industrial Ethernet switch that features fiber or copper uplink ports and four or eight 10/100/1000 RJ-45 copper Power Sourcing Power-over-Ethernet user ports.

The RuggedNet GPoE+/Si is a standard Layer 2 Ethernet switch that forwards frames to any port based on their MAC address.

The RuggedNet GPoE+/Si supports Directed Switch mode, which directs multicast traffic (such as video) only to the appropriate uplink port, preventing the multicast video traffic from flooding other network ports.

Models with two fiber or two copper uplink ports support daisy-chain configurations or redundant uplinks for critical applications that require protection and sub 50ms restoration in the event of an uplink failure.

Models with two fiber or two copper uplink ports also support Dual Device mode that enables the GPoE+/Si to operate as two independent and isolated Ethernet switches. In Dual Device mode, the GPoE+/Si provides separate and independent data traffic paths between the two uplink ports and four or eight user ports.

The RuggedNet GPoE+/Si modes of operation can be configured using easily accessible DIP-switches. Each DIP-switch function is labeled on the top of the RuggedNet for ease of identification and use.

The RuggedNet GPoE+/Si is available with fixed ST, SC, and LC connectors or Small Form Pluggable (SFP) transceivers. Fiber ports support multimode or single-mode and dual fiber or single-fiber with distances up to 140km. SFP models support a variety of distances in standard, CWDM and DWDM wavelengths.

The GPoE+/Si features a remote PoE power reset function that can be configured with a DIP-switch. This feature allows all PDs to be power-cycled and reset remotely to save time and expense by eliminating the need to dispatch manpower to remote network sites.

All models can be wall or rack mounted using a wall mount bracket and shelf or DIN-rail mounted using the included DIN-rail mounting clip. They are available with single or dual DC input power options.



SFPs not included

### KEY FEATURES

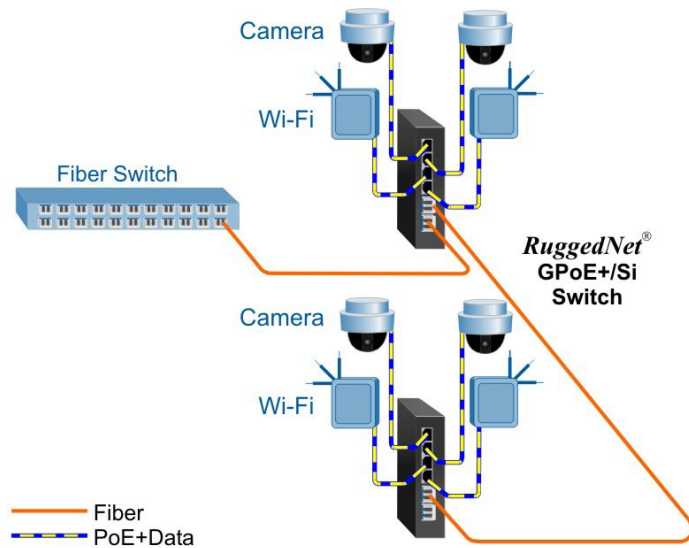
- Unmanaged 6 and 10 port PoE/PoE+ Ethernet switch
- Four or eight 10/100/1000 copper PoE/PoE+ user ports
- ST, SC and LC fixed fiber ports or standard, CWDM or DWDM Gigabit SFP transceivers
- Supports jumbo frames up to 10,240 bytes
- Configurable PoE Power Reset
- Uplink redundancy on models with two uplink ports
- Dual Device mode for operating as two separate switches
- Directed Switch mode AKA Camera mode to prevent port flooding
- Single or dual DC power for redundancy
- Wall, Rack and DIN-rail mountable
- Fan-less design for long life
- Industrial (-40 to 75°C) operating temperature
- Made in the USA
- Free 24/7/365 Technical Support

# APPLICATIONS

## Daisy Chain Application

This example demonstrates the daisy chain capabilities of the RuggedNet PoE switches. In this application each RuggedNet switch connects to its neighboring switch via its uplink ports. The daisy chain can continue to additional switches using this method of connectivity.

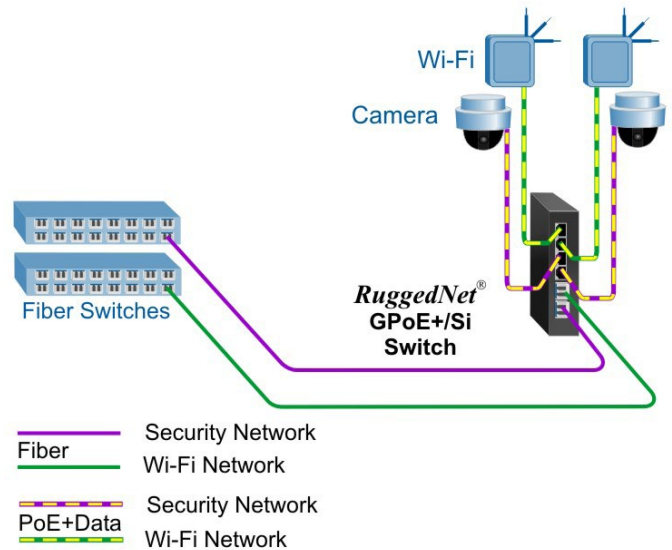
Each RuggedNet switch provides connectivity to the fiber links, and power to IP cameras and Wi-Fi access points at each location along the daisy chain.



## Dual Device Mode Application

This Dual Device feature is extremely useful when two isolated networks domains share a single network distribution location.

The example below depicts a scenario where a surveillance security (purple) network and a Wi-Fi (green) network are sharing a single hub distribution location. Using the two uplinks and the Dual Switch mode facilitates using a single PoE switch driving both the Cameras and the Wi-Fi Access Points while maintaining isolation between the networks.



## Power / Voltage Requirements and Specifications per IEEE

Description	IEEE 802.3af PoE	IEEE 802.3at PoE+
Power Supply Voltage Range	46.0 to 57.0 VDC	51.0 to 57.0 VDC
Voltage Range at PSE port Output	44.0 to 56.0 VDC	50.0 to 56.0 VDC
Maximum Power from PoE/PSE port	15.4 watts	30 watts
Minimum Voltage at PoE/PD port input*	37.0 VDC	42.5 VDC
Minimum Power at PoE/PD port*	12.95 watts	25.5 watts
* at 100 meters using Cat5		

# SPECIFICATIONS

<b>Description</b>	<b>RuggedNet® GPoE+/Si</b> 10/100/1000BASE-T with Gigabit Fiber or Copper Uplinks Ruggedized Unmanaged PoE+ Ethernet Switch	
<b>Standard Compliances</b>	IEEE 802.3, IEEE 802.3af (15.40 watts), IEEE 802.3at (30 watts)	
<b>Regulatory Compliances</b>	<p>Safety: UL 62368-1, UL 60950-1, IEC 62368-1, IEC 60950-1, EN 62368-1, EN 60950-1, CAN/CSA C22.2 No. 62368-1-14, CAN/CSA C22.2 No. 60950-1, CE Mark</p> <p>EMC: EN 55032/24 CE Emissions/Immunity, IEC 61000-6-4 Industrial Emissions, IEC 61000-6-2 Industrial Immunity</p> <p>EMI: CISPR 32, FCC 47 Part 15 Subpart B Class A</p> <p>EMS: IEC 61000-4-2 ESD: Contact: 6 kV; Air: 8 kV, IEC 61000-4-3 RS: 80 MHz to 1 GHz: 10 V/m (on UTP cabling) and 20 V/m (on STP cabling) IEC 61000-4-4 EFT: Power: 2 kV; Signal: 1 kV, IEC 61000-4-5 Surge: Power: 2 kV; Signal: 2 kV, IEC 61000-4-6 CS: Signal: 10 V, IEC 61000-4-8 (Magnetic Field), 30A/m, IEC 61000-4-11 (General Immunity in Industrial Environments)</p> <p>IP Rating: IP40 Protection</p>	
<b>Environmental</b>	REACH, RoHS and WEEE	
<b>PoE Modes</b>	IEEE Alternate A (Alt A)	
<b>Frame Size</b>	Up to 10,240 bytes	
<b>Port Types</b>	Copper: 10/100/1000BASE-T (RJ-45) Fiber: 1000BASE-X (ST, SC, LC, SFP) 10/100/1000BASE-T SGMII (SFP)	
<b>Cable Types</b>	Copper: EIA/TIA 568A/B, Cat 5 UTP and higher Fiber: Multimode: 50/125, 62.5/125µm Single-mode: 9/125µm	
<b>DC Power Requirements</b>	4 RJ-45 Ports: +46 to +57VDC; 2.31A @ 56VDC 2 Pin Terminal (non-isolated)	8 RJ-45 Ports +46 to +57VDC; 4.47A @ 56VDC 2 Pin Terminal (non-isolated)
<b>Dimensions (W x D x H)</b>	1.5" x 5.5" x 5.5" (38.1 mm x 139.7 mm x 139.7 mm)	
<b>Weight</b>	4 RJ-45 Ports: 1.70 lb.; 772 grams	8 RJ-45 Ports: 1.77 lb.; 803 grams
<b>Operating Temperature</b>	Extended: -40 to 75°C Storage: -40 to 80°C	
<b>Humidity</b>	5 to 95% (non-condensing)	
<b>Altitude</b>	-100m to 4,000m (operational)	
<b>MTBF (hours)</b>	278,000	
<b>Warranty</b>	5 year product warranty with 24/7/365 free Technical Support	

# ORDERING INFORMATION

RuggedNet GPoE+/Si Models													
Fiber Type	Distance	Connector Type					Tx / Rx Lambda (nm)	Min. Tx Power (dBm)	Max. Tx Power (dBm)	Min. Rx Power (dBm)	Max. Rx Power (dBm)	Min Atten (dB)	Link Budget (dB)
		ST	SC	LC	SFP	RJ-45							
MM/DF	220/550m <sup>1</sup>	9560-0-1y-pZ	9562-0-1y-pZ	9566-0-1y-pZ	-	-	850 / 850	-10	-4	-17	-3	-	7
MM/DF (x2)	220/550m <sup>1</sup>	-	-	9566-0-2y-pZ	-	-	850 / 850	-10	-4	-17	-3	-	7
MM/DF	2km	-	9562-6-1y-pZ	-	-	-	1310 / 1310	-9.5	-3	-19.5	-3	-	10
SM/DF	12km	9561-1-1y-pZ	9563-1-1y-pZ	9567-1-1y-pZ	-	-	1310 / 1310	-9.5	-3	-19.5	-3	-	10
SM/DF (x2)	12km	-	-	9567-1-2y-pZ	-	-	1310 / 1310	-9.5	-3	-19.5	-3	-	10
SM/DF	34km	-	9563-2-1y-pZ	-	-	-	1310 / 1310	-5	0	-23	-3	3	18
SM/DF	80km	-	9563-3-1y-pZ	-	-	-	1550 / 1550	-5	0	-23	-3	3	18
SM/DF	110km	-	9563-4-1y-pZ	-	-	-	1550 / 1550	0	5	-24	-3	8	24
SM/DF	140km	-	9563-5-1y-pZ	-	-	-	1550 / 1550	2	5	-28	-8	13	30
MM/SF <sup>2</sup>	220/550m <sup>1</sup>	-	9570-0-1y-pZ	-	-	-	1310 / 1550	-9	-3	-18	-3	-	9
MM/SF <sup>2</sup>	220/550m <sup>1</sup>	-	9571-0-1y-pZ	-	-	-	1550 / 1310	-9	-3	-18	-3	-	9
SM/SF <sup>2</sup>	20km	-	9570-1-1y-pZ	-	-	-	1310 / 1550	-9.5	-3	-20	-3	-	10.5
SM/SF <sup>2</sup>	20km	-	9571-1-1y-pZ	-	-	-	1550 / 1310	-9.5	-3	-20	-3	-	10.5
SM/SF <sup>2</sup>	40km	-	9570-2-1y-pZ	-	-	-	1310 / 1550	-3	0	-20	-3	3	17
SM/SF <sup>2</sup>	40km	-	9571-2-1y-pZ	-	-	-	1550 / 1310	-3	0	-20	-3	3	17
SFP (x1)	-	-	-	-	9579-0-1y-pZ	-	-						
SFP (x2)	-	-	-	-	9579-0-2y-pZ	-	-						
RJ-45 (x2)	100m	-	-	-	-	9579-1-2y-pZ	-						

<sup>1</sup> 62.5/125µm, 100/140µm multimode fiber up to 220m. 50/125µm multimode fiber up to 550m.

<sup>2</sup> When using single-fiber (SF) models, the Tx wavelength on one end has to match the Rx wavelength on the other.

MM = Multimode, SM = Single-mode, DF = Dual Fiber, SF = Single-fiber

### Base Model Number: 95xx-x-xy-pZ

Select the model from ordering table above.

Add # of RJ-45 ports (y) and power option (p) to the model selected.

### Number of RJ-45 PoE/PoE+ Ports (y):

4 = Four RJ-45 Ports

8 = Eight RJ-45 Ports

### Power Options (p):

1 = Single DC 2-Pin Terminal Power Connector

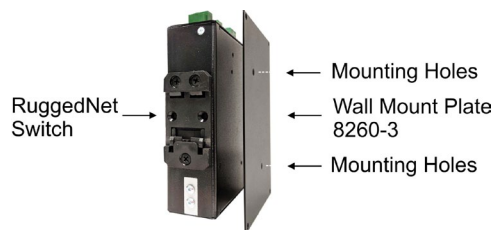
2 = Dual DC 2-Pin Terminal Power Connectors

### Operating Temperature:

Z = Extended temperature (-40 to 75°C)

Contact Omnitron for other fiber options. Order the appropriate SFPs separately. [Visit the Omnitron Optical Transceivers web page.](#)

Model Number	Description
8260-3	Wall Mounting Plate
8260-0	19" rack mount shelf



Wall Mount Plate used to wall or rack mount the RuggedNet switch

©2021 Omnitron Systems Technology, Inc. RuggedNet is a registered trademark of Omnitron Systems Technology, Inc. Trademarks are owned by their respective companies. Specifications subject to change without notice. All rights reserved.

