

RuggedNet® 10GPoEBT/Mi

Managed Industrial 60/100W IEEE 802.3bt 10Gigabit Ethernet Switch

The RuggedNet 10GPoEBT/Mi is an industrial ruggedized and temperature-hardened managed Ethernet switch that features two 1/10G uplink ports and four 10/100/1000 RJ-45 IEEE 802.3bt 60W or 100W PoE user ports.

The RuggedNet PoE switches are Layer 2 Ethernet switches that forward frames to any port based on their MAC address.

All models support Directed Switch mode, which directs multicast traffic (such as video) only to the appropriate uplink port, preventing multicast traffic from flooding other network ports.

The switches support redundant uplinks, industrial ring Media Redundancy Protocol (MRP), Spanning Tree protocol and daisy-chain configurations for high availability industrial network applications.

The switches support Dual Device mode that enables the 10GPoEBT/Mi to operate as two independent and isolated Ethernet switches.

The mode of operation can be configured using easily accessible DIP-switches or using Web, Telnet, SSH, SNMPv1/v2c/v3 or Serial Console management interfaces. IPv4 and IPv6 are supported on the switches. These management interfaces provide access to filtering and security options, such as, broadcast storm prevention, IGMP, IEEE 802.1x, RADIUS, TACACS+ and Access Control Lists. Email and text event notification and alarm reporting is provided.

The RuggedNet PoE switches are available with Small Form Pluggable (SFP) transceiver receptacle ports. The SFP ports support 10/100/1000BASE-T, 1000BASE-T and 10GBASE-T copper transceivers. They also support 1G and 10G multimode or single-mode fiber, dual or single-fiber and standard, CWDM and DWDM wavelengths.

The switches feature a Remote PoE Power Reset function that enables the user to remotely power-cycle and reset each PD. They also feature a configurable Heartbeat Reset function that automatically pings the attached PDs and automatically power cycles and resets the PDs when detecting a heartbeat loss. These functions save time and expense by eliminating the need to dispatch manpower to remote network sites.

All models can be wall or rack mounted using a wall mount bracket and shelf or DIN-rail mounted using the included DIN-rail mounting clip. They are available with dual DC input power.



SFPs not included

KEY FEATURES

- Managed Industrial IEEE 802.3bt 60W and 100W PoE 1/10G Ethernet Switches with dual DC power
- Two 1/10G SFP/SFP+ transceiver uplink ports
- Supports copper and fiber SFP transceivers
- Supports 10M, 100M, 1G and 10Gbps copper SFP/SFP+ transceivers
- Four 10/100/1000 copper PoE user ports
- Jumbo frames up to 10,240 bytes
- Heartbeat signal to verify connectivity to the PD
- Configurable PoE Power Reset
- PoE power management with LLDP MED and MDI TLV, and PoE Power Multi-Day Scheduler
- Management via Web, Telnet, SSH, SNMPv1/v2c/v3 and serial interfaces
- SNMP management via Omnitron's NetOutlook® management software, or third-party SNMP software
- Supports IPv4 and IPv6
- IEEE 802.1x, RADIUS, TACACS+ and ACL
- RFC 5424 Syslog to manage system logs and alerts
- Email Notification with Simple Mail Transfer Protocol
- Text Notification with Short Messaging Service
- Dual Device mode for operating as two separate switches
- Directed Switch mode AKA Camera mode to prevent port flooding
- Wall, Rack and DIN-rail mountable
- Industrial (-40 to 75° C) operating temperature
- Made in the USA
- Free 24/7/365 Technical Support

ADDITIONAL FEATURES

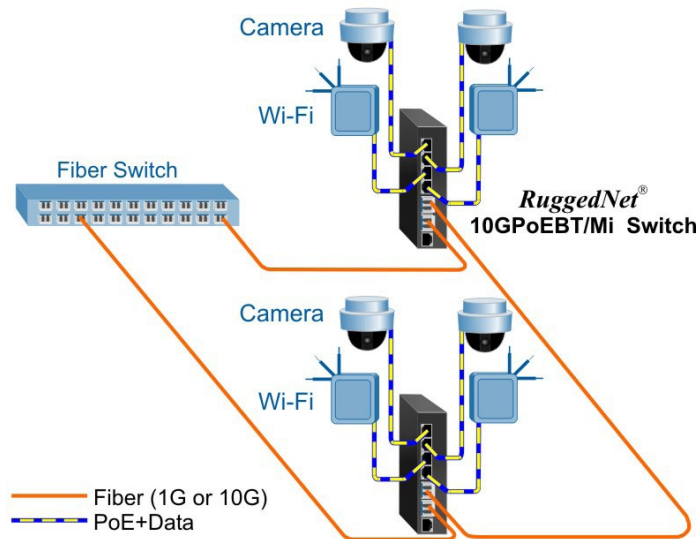
- Rapid and Multiple Spanning Tree Protocol
- IEC 62439-2 Industrial Ring Media Redundancy
- IEEE 802.1ax LAG and LACP; Active/Active and Active/Standby
- IPv4 Internet Group Management (IGMP) and IPv6 Multicast Listener Discovery (MLD) snooping
- DHCP Relay Option 82
- IEEE 802.1ab Link Layer Discovery Protocol
- Rate Limiting, Queue prioritization and Class of Service
- IEEE 802.1Q VLAN tagging and IEEE 802.1ad Q-in-Q
- Static MAC configuration and blocking of unknown Unicast/Multicast addresses
- Port Access Control for enhanced security
- Broadcast / Multicast / Unicast Storm Prevention
- SNTP / NTP and time of day

APPLICATIONS

Daisy-Chain and Ring Topology Network Application

This example demonstrates the daisy chaining and ring capabilities of the RuggedNet. In this application each RuggedNet switch connects to its neighboring switches via its uplink ports eventually closing the ring.

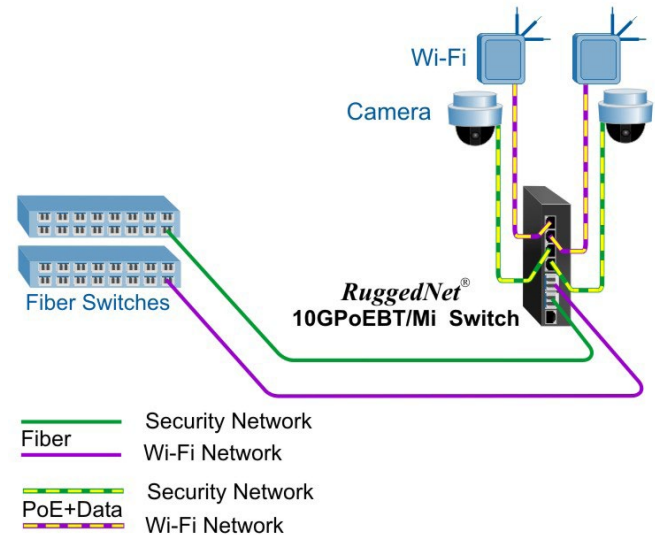
Using this network architecture combined with ring protection protocols such as Media Redundancy Protocol (MRP) or Rapid Spanning Tree Protocol (RSTP) facilitates a highly resilient network required in mission critical applications.



Dual Device Mode Application

This Dual Device feature is extremely useful when two isolated networks domains share a single network distribution location.

The example below depicts a scenario where a surveillance security (green) network and a Wi-Fi (purple) network are sharing a single hub distribution location. Using the two uplinks and the Dual Switch mode facilitates using a single PoE switch driving both the Cameras and the Wi-Fi Access Points while maintaining isolation between the networks.



Power / Voltage Requirements and Specifications per IEEE

Description	IEEE 802.3af 15W PoE	IEEE 802.3at 30W PoE+	IEEE 802.3bt 60W PoE (Type 3)	IEEE 802.3bt 100W PoE (Type 4)
Power Supply Voltage Range	46.0 to 57.0 VDC	51.0 to 57.0 VDC	51.0 to 57.0 VDC	53.0 to 57.0 VDC
Voltage Range at PSE port Output	44.0 to 56.0 VDC	50.0 to 56.0 VDC	50.0 to 56.0 VDC	52.0 to 56.0 VDC
Maximum Power from PoE/PSE port	15.4 watts	30 watts	60 watts	100 watts
Minimum Voltage at PoE/PD port input*	37.0 VDC	42.5 VDC	42.5 VDC	41.1 VDC
Minimum Power at PoE/PD port*	12.95 watts	25.5 watts	51 watts	71 watts

* at 100 meters using Cat5

SPECIFICATIONS

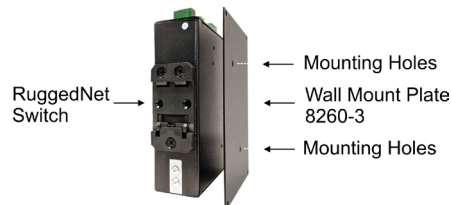
Description	RuggedNet® 10GPoEBT/Mi 10/100/1000BASE-T with 1/10G Fiber Uplink Ports Ruggedized Managed IEEE 802.3bt PoE 10Gigabit Ethernet Switch	
Standard Compliances	IEEE 802.3, IEEE 802.1Q, IEEE 802.1ad, IEEE 802.1ab, IEEE 802.1ax, IEEE 802.1w RSTP/MSTP, RFC 5424, RFC 4541, RFC 2710, IEC 624339-2, SMTP, SMS, SNTP, RADIUS, TACACS+, IEEE 802.1x, IEEE 802.3af (15.40 watts max), IEEE 802.3at (30 watts max), IEEE 802.3bt (60 and 100 watts max)	
Regulatory Compliances (*Pending)	<p>Safety*: UL 62368-1, UL 60950-1, IEC 62368-1, IEC 60950-1, EN 62368-1, EN 60950-1, CAN/CSA C22.2 No. 62368-1-14, CAN/CSA C22.2 No. 60950-1, CE Mark</p> <p>EMC: EN 55032/24 CE Emissions/Immunity, IEC 61000-6-4 Industrial Emissions, IEC 61000-6-2 Industrial Immunity</p> <p>EMI: CISPR 32, FCC 47 Part 15 Subpart B Class A</p> <p>EMS: IEC 61000-4-2 ESD: Contact: 6 kV; Air: 8 kV, IEC 61000-4-3 RS: 80 MHz to 1 GHz: 10 V/m (on UTP cabling) and 20 V/m (on STP cabling), IEC 61000-4-4 EFT: Power: 2 kV; Signal: 1 kV, IEC 61000-4-5 Surge: Power: 2 kV; Signal: 2 kV, IEC 61000-4-6 CS: Signal: 10 V, IEC 61000-4-8 (Magnetic Field), 30A/m, IEC 61000-4-11 (General Immunity in Industrial Environments)</p> <p>IP Rating: IP40 Protection</p>	
Environmental	REACH, RoHS and WEEE	
Management	IPv4 and IPv6 address Web, Telnet, SSH, SNMPv1/v2c/v3 In-Band management via Ethernet port Out-of-band management via serial port	
PoE Modes	IEEE Alternate A (Alt A) and 4-Pair	
Frame Size	Up to 10,240 bytes	
Port Types	<p>Copper: 10/100/1000BASE-T (RJ-45)</p> <p>SFP/SFP+: 10GBASE-X Fiber Transceivers 10GBASE-T Copper Transceivers 1000BASE-X Fiber Transceivers 1000BASE-T Copper Transceivers 10/100/1000BASE-T SGMII Copper Transceivers</p> <p>Serial: RS-232 (RJ-45)</p>	
Cable Types	<p>Copper: EIA/TIA 568A/B, Cat 5 UTP and higher</p> <p>Fiber: Multimode: 50/125, 62.5/125µm Single-mode: 9/125µm</p> <p>Serial: Category 3 and higher</p>	
DC Power Requirements	60W Models: +46 to +57VDC; 4.47A @ 56VDC 2 Pin Terminal (non-isolated)	100W Models: +46 to +57VDC; 7.33A @ 56VDC 2 Pin Terminal (non-isolated)
Dimensions (W x D x H)	1.5" x 5.5" x 5.5" (38.1 mm x 139.7 mm x 139.7 mm)	
Weight	1.70 lb. (772 grams)	
Operating Temperature	Industrial: -40 to 75°C Storage: -40 to 80°C	
Humidity	5 to 95% (non-condensing)	
Altitude	-100m to 4,000m (operational)	
MTBF (hours)	265,000	
Warranty	5 year product warranty with 24/7/365 free Technical Support	

ORDERING INFORMATION

RuggedNet 10GPoEBT/Mi Models	
Model Number	Description
3360B-0-24-2Z	RuggedNet 10GPoEBT/Mi 2 x SFP/SFP+ uplink port and 4 x RJ-45 IEEE 802.3bt 60W user ports, Dual DC Terminal Connectors, Industrial Temperature
3362B-0-24-2Z	RuggedNet 10GPoEBT/Mi 2 x SFP/SFP+ uplink port and 4 x RJ-45 IEEE 802.3bt 100W user ports, Dual DC Terminal Connectors, Industrial Temperature

Contact Omnitron for other fiber options. Order the appropriate SFPs separately. [Visit the Omnitron Optical Transceivers web page.](#)

Accessories	
Model Number	Description
8260-3	Wall Mounting Plate
8260-0	19" rack mount shelf



Wall Mount Plate used to wall or rack mount the RuggedNet switch

©2021 Omnitron Systems Technology, Inc. RuggedNet and NetOutlook are registered trademark of Omnitron Systems Technology, Inc. Trademarks are owned by their respective companies. Specifications subject to change without notice. All rights reserved.

