

### FlexPoint 100Fx/Tx Fast Ethernet Fiber to Copper Media Converter

The FlexPoint 100Fx/Tx is a 100BASE-FX fiber to 100BASE-TX UTP media converter that provides reliable and cost-effective network connectivity and fiber extension.

The FlexPoint 100Fx/Tx UTP port auto-negotiates to the highest level of performance supported by the attached device. Manual switch settings and LED indicators with on-the-label descriptions enable easy configuration to legacy devices or matching specific network requirements.

The FlexPoint 100Fx/Tx fiber port operates at 1310nm or 1550nm and supports SC or ST connectors. Multimode models support distances of up to 5km and single-mode models support distances of up to 120km.

Diagnostic data is provided through LED indicators that assist in network installation and maintenance. The LEDs report the availability of power, port activity and link status, duplex mode and error indicators.

The FlexPoint 100Fx/Tx features a crossover switch that eliminates the need for a crossover cable and facilitates connectivity to network equipment such as switches or workstations.

FlexPoint modules can be mounted utilizing optional wall-mounting hardware or with DIN-rail mounting brackets. They can also be rack-mounted in a 5-Module shelf or in a high-density 14-Module, power-redundant Powered Chassis.

FlexPoint modules installed in the 5-Module shelf or used as standalone devices can be powered by an external AC to DC power adapter, or through the 5VDC chassis connector. Standalone modules can also be powered by attaching an external DC power supply (18-60VDC). When used in the 14-Module power-redundant Powered Chassis with any combination of AC and DC power supplies, the installed modules are powered via the 5VDC chassis connector.

The wide variety of FlexPoint mounting and power options provide flexible upgrade paths as network requirements change and grow.

FlexPoint unmanaged media converters are easy to use and provide dependable fiber connectivity in Enterprise and Government networks around the world.



### KEY FEATURES

- The FlexPoint 100Fx/Tx is a 100BASE-FX fiber to 100BASE-TX UTP media converter
- Supports auto-negotiation of duplex modes for easy installation
- Extends network distances up to 120km
- Supports most network interfaces with a wide variety of cable and connector types
- Labeled status LEDs and switches for quick and easy installation
- Features a crossover switch for connection to switches or workstations
- Wall-mount or rack-mount on a 5-Module shelf or in a 14-Module power-redundant FlexPoint Powered Chassis
- Completely software independent with no installation of drivers required
- Peace-of-mind reliability backed by a lifetime warranty and free 24/7 technical support

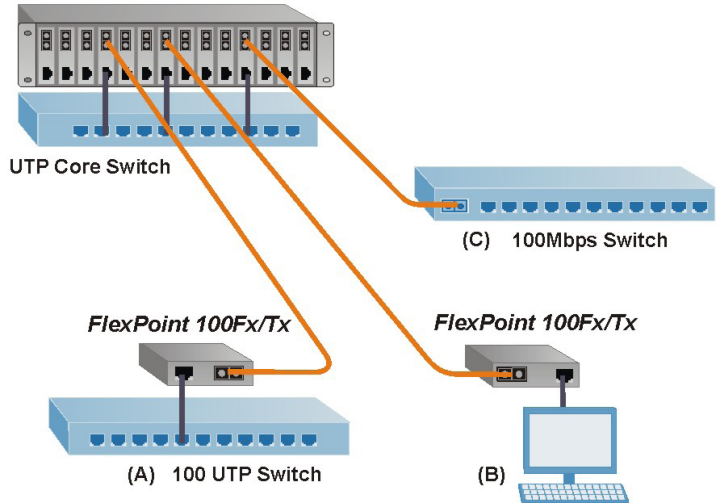
# SPECIFICATIONS

<b>Model Type</b>	100FX/TX		
<b>Protocols</b>	IEEE 802.3, 100BASE-FX, 100BASE-TX		
<b>UTP Cable</b>	EIA/TIA 568A/B, Category 5 and higher		
<b>Fiber Cables</b>	Multimode: 50/125, 62.5/125, 100/140µm Single-mode: 9/125µm		
<b>UTP Connectors</b>	RJ-45 pins 1-2, 3-6 active, Categories 3, 4, 5 (EIA/TIA 568)		
<b>Fiber Connectors</b>	SC, ST		
<b>Switches</b>	UTP crossover, UTP A/N, FDX/HDX		
<b>LED Displays</b>	<b>Power:</b> Yellow LED = Power Applied <b>Auto-Negotiation:</b> Green LED = A/N Enabled <b>Full-Duplex:</b> Green LED = FDX Selected <b>Half-Duplex:</b> Green LED = HDX Selected <b>Fiber/Link Receive:</b> Green LED = Link/Data Received <b>Fiber Error:</b> Red LED = Fiber Data Error <b>UTP/Link Receive:</b> Green LED = Link/Data Received <b>UTP Error:</b> Red LED = UTP Data Error		
<b>Dimensions</b>	W: 3.0" x D: 4.0" x H: 1.0"		
<b>Weight</b>	6 oz. (without power adapter)		
<b>Compliance</b>	UL, CE, FCC Class A		
<b>Power Requirements</b>		<b>Barrel Connector</b>	<b>Molex Connector</b>
	<b>Nominal Voltage:</b>	9VDC	5VDC
	<b>Voltage Range:</b>	6.0 to 15.0VDC	4.75 to 5.25VDC
	<b>Power Nominal:</b>	0.3A @ 9VDC	0.5A @ 5VDC
	<b>Maximum Power:</b>	1A @ 9VDC	0.75A @ 5VDC
<b>Temperature</b>	0 to 50° C		
<b>Humidity</b>	5 to 95% (non-condensing)		
<b>Altitude</b>	-100m to 4000m		
<b>MTBF (Hours)</b>	Module without Power Adapter: 93,000 Module with Power Adapter -1: 250,000 Module with Power Adapter -2: 100,000		

# APPLICATION EXAMPLE

In this enterprise campus application example, FlexPoint 100Fx/Tx media converters are installed in a 14-Module Redundant Power chassis for high-density fiber distribution from UTP switch equipment at the Network Core. A UTP workgroup switch (A) is connected via fiber with a standalone FlexPoint 100Fx/Tx media converter. Another FlexPoint 100Fx/Tx converts the fiber to UTP in a fiber-to-desktop application (B). An Ethernet switch (C) is connected directly via fiber to the FlexPoint module at the Network Core. In all cases, multimode or single-mode fiber can be used, and fiber links can be extended up to 120km using single-mode fiber.

**FlexPoint 100Fx/Txs installed in 14-Module Power Chassis**



# ORDERING INFORMATION

Fiber Type	Distance	Connector Type		Tx / Rx Wavelength [nm]	Min. Tx Power [dBm]	Max. Tx Power [dBm]	Min. Rx Sense [dBm]	Max. Rx Power [dBm]	Optical Power Budget
		ST	SC						
MM	5km	4332-x	4330-x	1310	-24	-14	-31	-14	7
SM	30km	4333-x	4331-x	1310	-15	-8	-31	-8	16
SM	60km	4335-x	4334-x	1310	-5	0	-31	-3*	26
SM	120km	-	4351-x	1550	-5	0	-31	-3*	26

**Power Adapter Kits (-x):** -0 = No power adapter included, -1 = 110-120 VAC/60 Hz (US plug), -2 = 100-240 VAC/50-60 Hz (IEC plug, no power cord)  
 Contact Omnitron for other fiber options and operational temperature ranges  
 \*When using these models in pairs, a minimum attenuation of 3dB is required.

© 2012 Omnitron Systems Technology, Inc. All rights reserved. FlexPoint is a Trademark of Omnitron Systems Technology, Inc. Trademarks are owned by their respective companies. Specifications are subject to change without notice. 091-04330-004E 12/12

