

### FlexPoint 10/100

#### 10/100 RJ-45 to Fast Ethernet Fiber Media Converter

The FlexPoint 10/100 is a modular 10BASE-T or 100BASE-TX RJ-45 to 100BASE-FX fiber media converter that provides reliable and cost-effective network connectivity and fiber extension.

The FlexPoint 10/100 features a 10/100 auto-sensing RJ-45 port that adjusts to the highest level of performance supported by the attached device. An override switch provides manual control over the 10/100 operation of the RJ-45 port and the Half/Full-Duplex operation of both the fiber and RJ-45 ports.

When configured for auto-negotiation, the RJ-45 port automatically detects and sets MDI/MDI-X crossover. When configured for manual operation, the FlexPoint 10/100 features a manual switch to provide the MDI/MDI-X crossover.

The fiber port supports fixed-fiber connectors (SC, ST or LC) and Small Form Pluggable (SFP) transceivers, enabling easy adaptability to different fiber types, distances and wavelengths. The FlexPoint 10/100 supports multimode, single-mode, single-mode single-fiber, in standard and CWDM wavelengths.

Manual switch settings and LED indicators with on-the-label descriptions enable easy configuration to legacy devices or specific network requirements. The LEDs report the availability of power, port activity and link status, speed and duplex modes.

FlexPoint modules can be mounted utilizing optional wall-mounting hardware or with DIN-rail mounting brackets. They can also be rack-mounted in a 5-Module shelf or in a high-density 14-Module, power-redundant Powered Chassis.

FlexPoint modules installed in the 5-Module shelf or used as standalone devices can be powered by an external AC to DC power adapter, 2-pin DC terminal connector or through the 5VDC chassis connector. Standalone modules can also be powered by attaching an external DC power supply (18-60VDC). When used in the 14-Module power-redundant Powered Chassis with any combination of AC and DC power supplies, the installed modules are powered via the 5VDC chassis connector.

The wide variety of FlexPoint mounting and power options provide flexible upgrade paths as network requirements change and grow.

FlexPoint unmanaged media converters are easy to use and provide dependable fiber connectivity in Enterprise and Government networks around the world.



SFPs not included

### KEY FEATURES

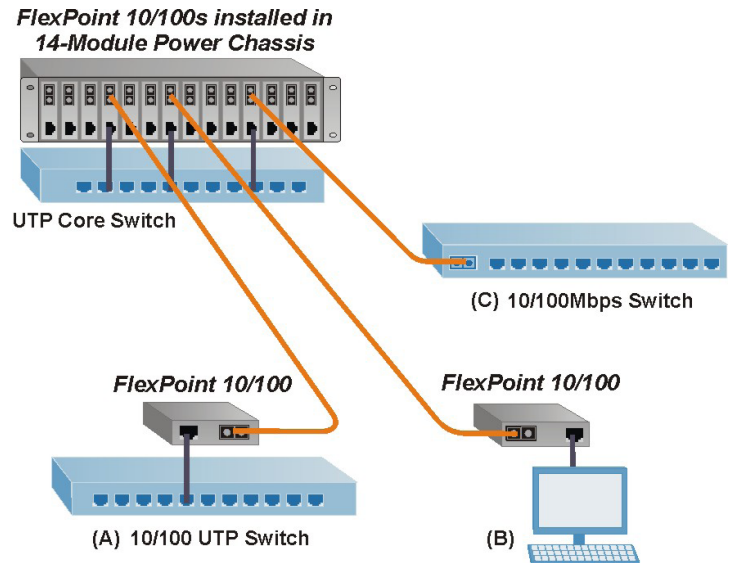
- The FlexPoint 10/100 is a 10BASE-T or 100BASE-TX to 100BASE-FX fiber media converter
- The RJ-45 port supports auto or manual negotiation
- Extends network distances up to 120km
- Supports 100BASE-FX fixed-fiber (SC, ST or LC) and 100BASE-FX SFP transceivers
- Labeled status LEDs and switches for quick and easy installation
- Auto MDI/MDI-X crossover
- Available in AC and DC models
- Wall-mount or rack-mount on a 5-Module shelf or in a 14-Module power-redundant FlexPoint Powered Chassis
- Completely software independent with no installation of drivers required
- Standard (0 to +50°C), wide (-40° to +60°C) and extended (-40°C to +75°C) temperature ranges
- Peace-of-mind reliability backed by a lifetime warranty and free 24/7 technical support

# SPECIFICATIONS

Model Type	10/100		
Protocols	IEEE 802.3, 10BASE-T, 100BASE-TX, 100BASE-FX		
UTP Cable	EIA/TIA 568A/B, Category 5 and higher		
Fiber Cables	Multimode: 50/125, 62.5/125, 100/140µm Single-mode: 9/125µm		
UTP Connectors	RJ-45		
Fiber Connectors	LC SFP: Dual Fiber: Single-Fiber:		
Switches	User Selectable UTP Crossover, AN/Man, 10/100UTP, UTP FDX/HDX, Fiber FDX/HDX		
LED Displays	Power, UTP AN, UTP Duplex, UTP Link/Receive, UTP 10Mbps, UTP 100Mbps, Fiber Duplex Mode, Fiber Link/Receive		
Dimensions	W: 3.0" x D: 4.0" x H: 1.0"		
Weight	6 oz. (without power adapter)		
Compliance	UL, CE, FCC Class A		
Power Requirements	Terminal or Barrel Connectors	Molex Connector	
	Nominal Voltage:	9VDC	5VDC
	Voltage Range:	5.0 to 32.0VDC	4.75 to 5.25VDC
	Power Nominal:	0.5A @ 9VDC	0.8A @ 5VDC
	Maximum Power:	1A @ 9VDC	1A @ 5VDC
Temperature	Standard Operating:	0 to 50 °C	
	Wide Operating:	-40° C to 60° C	
	Extended Operating:	-40° C to 75° C	
	Storage:	40° C to 80° C	
Humidity	5 to 95% (non-condensing)		
Altitude	-100m to 4000m		
MTBF (Hours)	Module without Power Adapter:	1,100,000	
	Module with Power Adapter -1:	250,000	
	Module with Power Adapter -2:	100,000	

# APPLICATION EXAMPLE

In this enterprise campus application example, FlexPoint 10/100 media converters are installed in a 14-Module Redundant Power chassis for high-density fiber distribution from UTP switch equipment at the Network Core. A UTP workgroup switch (A) is connected via fiber with a standalone FlexPoint 10/100 media converter. Another FlexPoint 10/100 converts the fiber to UTP in a fiber-to-desktop application (B). An Ethernet switch (C) is connected directly via fiber to the FlexPoint module at the Network Core. In all cases, multimode or single-mode fiber can be used, and fiber links can be extended up to 120km using single-mode fiber.



# ORDERING INFORMATION

Fiber Type	Distance	Connector Type				Tx / Rx Wavelength [nm]	Min. Tx Power [dBm]	Max. Tx Power [dBm]	Min. Rx Sense [dBm]	Max. Rx Power [dBm]	Optical Power Budget
		ST	SC	LC	SFP						
-	-	-	-	-	4359-x	-	-	-	-	-	-
MM	5km	4342-x	4340-x	4355-1x	-	1310	-24	-14	-31	-14	7
SM	30km	4343-x	4341-x	4355-2x	-	1310	-15	-8	-31	-8	16
SM	60km	4345-x	4344-x	4355-3x	-	1310	-5	0	-31	-3*	26
SM	120km	-	4349-x	4355-4x	-	1550	-5	0	-31	-3*	26
SM/SF	20km	-	4357-1x	-	-	1310/1550	-15	-5	-30	-3	15
SM/SF	20km	-	4357-2x	-	-	1550/1310	-15	-5	-30	-3	15

For wide temperature (-40 to 60° C), add a "W" to the end of the model number. Consult factory for extended temperature (-40 to +75° C) models.

Power Adapter Kits (-x): -0 = No power adapter included -1 = 110-120 VAC/60 Hz (US plug), -2 = 100-240 VAC/50-60 Hz (IEC plug, no power cord), -9 = 2 pin terminal connector. Contact Omnitron for other fiber options and operational temperature ranges.

\*When using these models in pairs, minimum attenuation of 3dB is required.

© 2012 Omnitron Systems Technology, Inc. All rights reserved. FlexPoint is a Trademark of Omnitron Systems Technology, Inc. Trademarks are owned by their respective companies. Specifications are subject to change without notice. 091-04340-004F 8/12

