

OmniConverter GPoE/SE

10/100/1000 Media Converter with Power over Ethernet (PoE)

The cost-effective *OmniConverter* GPoE/SE multi-port media converters provide 10/100/1000BASE-T UTP to 1000BASE-X fiber conversion and support Power-over-Ethernet (PoE). Classified as Power Sourcing Equipment (PSE), the GPoE/SE provides power to a Powered Device (PD) using standard UTP cables that carry the Ethernet data.

The GPoE/SE media converters can power PDs such as VoIP phones, wireless access points, network cameras, building access devices and automation equipment. They are especially useful at powering PDs in hard-to-reach locations with limited access to AC power outlets (ceilings, closets, etc.). The cost of bringing electrical power to each device is eliminated by powering the equipment through the UTP cable.

GPoE/SE media converters support fixed-fiber connectors and Small Form Pluggable (SFP) transceivers, enabling easy adaptability to different fiber types, distances and wavelengths. The products support multimode, single-mode, single-mode single-fiber, in standard and CWDM wavelengths.

Models are available with one or two RJ-45 ports. Each port independently provides up to 15.4W of power to a PD per the IEEE 802.3af specification.

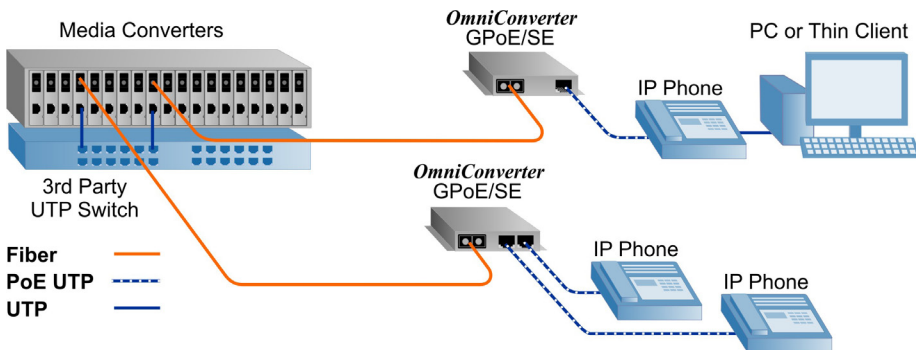
The compact standalone GPoE/SE media converters can be tabletop mounted, wall mounted, or DIN-rail mounted using an optional DIN-rail mounting kit. They can also be mounted on a 1U 19" rack-mount shelf. The products are DC powered and available with an optional external 100 - 240VAC universal power adapter.



SFPs not included

KEY FEATURES

- Power over Ethernet injector/source
- 10/100/1000 UTP to fiber media converter
- Supports IEEE 802.3af PoE standard on copper port
- Port configurations:
 - 1 Fixed Fiber + 1 RJ-45
 - 1 Fixed Fiber + 2 RJ-45
 - 1 SFP + 1 RJ-45
 - 1 SFP + 2 RJ-45
- Supports 1000BASE-X fixed-fiber (SC, ST) and SFP transceivers
- Available in AC and DC models
- Commercial (0 to 50° C) and Wide (-40 to 65° C) operating temperature ranges
- Lifetime Warranty and free Technical Support

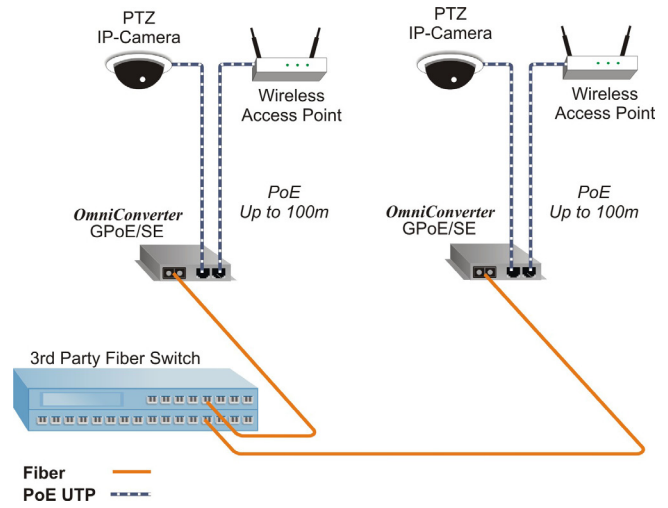


In this application example, a fiber-to-the-desk network is deployed to leverage the security and distance benefits of fiber.

In the main data closet, a chassis with copper-to-fiber media converters converts each 10/100/1000 RJ-45 port to fiber. Fiber optic cables are run to each desktop, where they are terminated by *OmniConverter* media converters. The *OmniConverter* media converters provide data and power to desktop items such as IP phones.

In this application example, IP security cameras and wireless access points (APs) are installed throughout a facility. The cameras and APs can be mounted in ceilings and other hard to reach locations, where AC power is not readily available.

OmniConverter media converters, installed near AC outlets, convert long runs of fiber to 10/100/1000 Ethernet RJ-45 interfaces. UTP copper cabling carries data and power (PoE) from the RJ-45 ports of the media converters to the cameras and APs mounted in the ceilings.

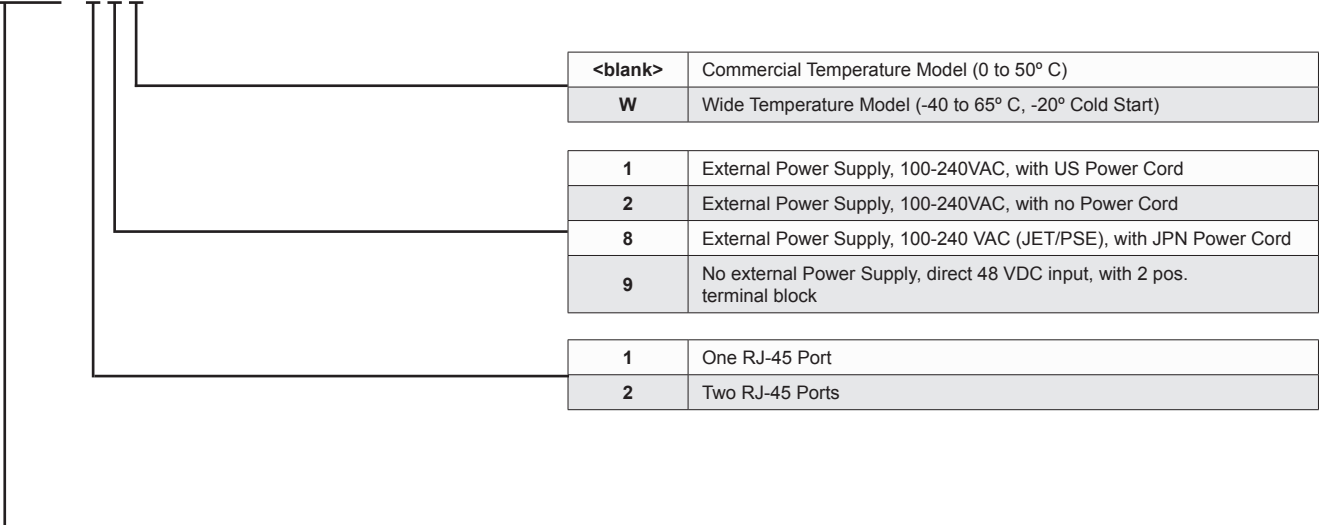


SPECIFICATIONS

Model	GPoE/SE
Model Type	Gigabit media converter and PoE PSE
Standard (PoE)	IEEE 802.3af
Max PoE Power (per UTP port)	15.4W
Protocols (Ethernet)	Fiber: 1000BASE-X Copper: 10/100/1000BASE-T
Frame size	Up to 10,240 byte frames
Copper Connectors	Ethernet: RJ-45
Fiber Connectors	SFP: LC Dual Fiber: SC, ST Single Fiber: SC
AC Power requirements	100 to 240VAC / 47 to 63Hz 170 mA@120VAC
DC Power requirements	46-57VDC 390 mA
Compliance	UL, CE, FCC Class A (Pending)
Temperature	Standard Operating: 0 to 50° C Wide Operating: -40 to 65° C Cold Start: -20° C Storage: -40 to 80° C
Humidity	5 to 95% (non-condensing)
Altitude	-100m to 4000m
MTBF (Hours)	
- AC Model:	177,000 hrs.
- DC Model:	430,000 hrs.

ORDERING INFORMATION

9 4 x x - x - a b c



Type	Distance	Fiber Connector Type			Tx λ [nm]	Rx λ [nm]	Min. Tx Power [dBm]	Max. Tx Power [dBm]	Min. Rx Power [dBm]	Max. Rx Power [dBm]	Min Attenuation [dB]	Link Budget [dB]
		ST	SC	SFP								
GPoE/SE Media Converter												
MM	220/550m	9460-0	9462-0	-	850	850	-10	-4	-17	-3	-	7
SM	12km	9461-1	9463-1	-	1310	1310	-9.5	-3	-19.5	-3	-	10
SM	34km	-	9463-2	-	1310	1310	-5	0	-23	-3	3	18
SM	80km	-	9463-3	-	1550	1550	-5	0	-23	-3	3	18
SM	110km	-	9463-4	-	1550	1550	0	5	-24	-3	8	24
SM	140km	-	9463-5	-	1550	1550	2	5	-28	-8	13	30
SM-SF	20km	-	9470-1*	-	1310	1550	-9.5	-3	-20	-3	-	10.5
SM-SF	20km	-	9471-1*	-	1550	1310	-9.5	-3	-20	-3	-	10.5
SM-SF	40km	-	9470-2*	-	1310	1550	-3	0	-20	-3	3	17
SM-SF	40km	-	9471-2*	-	1550	1310	-3	0	-20	-3	3	17
1000BASE-X SFP	-	-	-	9479-0	-	-	-	-	-	-	-	-

* When using single-fiber (SF) media converter models, the Tx wavelength on one end has to match the Rx wavelength on the other.