

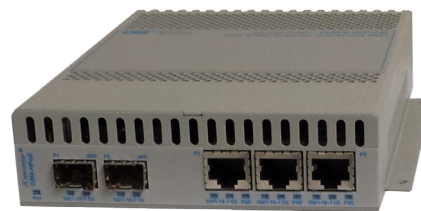
iConverter® GM4-PoE+ and GM4-HPoE Network Interface Devices Carrier Ethernet 2.0 NIDs with Power over Ethernet

The *iConverter*® GM4-PoE Network Interface Devices (NID) deliver advanced Carrier Ethernet 2.0 services and provide integrated Power over Ethernet (PoE) at the demarcation. GM4-PoE NIDs function as PoE Power Sourcing Equipment in small cell (metro cell) and WiFi applications, where the radio equipment can be powered through the Ethernet UTP cables. By integrating Carrier Ethernet demarcation and PoE functions into a single device, Service Providers can easily deploy WiFi hot spots and small cells almost anywhere, reduce equipment costs and overall power consumption. This integrated PoE NID speeds time to market, and reduces technical risks.

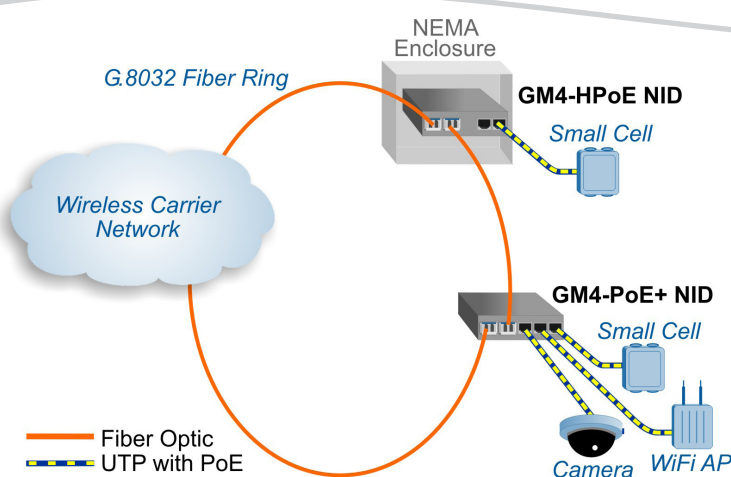
The GM4-PoE NIDs are available in two PoE power levels. GM4-PoE+ models support 802.3af PoE (15.4W) and 802.3at PoE+ (25.5W) on each RJ-45 port. The GM4-HPoE models provide up to 60W of power to access points for hot spot and metro cell applications. The GM4-HPoE NIDs are backward compatible with 802.3af and 802.3at Powered Devices.

The GM4-PoE NIDs enable rapid service deployments, Service Level Agreement (SLA) assurances, comprehensive fault management and service protection. These advanced capabilities reduce operating costs, provide faster return on investment (ROI) and improve customer satisfaction.

The standalone GM4-PoE+ and GM4-HPoE are available in 2, 4 and 5 port models. They are DC powered with a terminal connector, or available with an external AC/DC power adapter. Built-in mounting brackets provide out-of-the-box table-top and wall-mounting capability, and can also be rack-mounted using the 1RU 19" rack-mounting shelf.



- Smallest full-function NIDs available with 60W PoE
- 1000Mbps and 100Mbps Carrier Ethernet Fiber Access
- Multiple port configurations:
 - 1 or 2 SFP Fiber Ports
 - 1 to 4 RJ-45 PoE 10/100/1000 Ports
- Power over Ethernet sourcing of 802.3af (15.4W), 802.3at (25.5W) and up to 60W
- MEF Carrier Ethernet 2.0 Certified Compliant
- Advanced traffic management with service mapping and traffic policing and shaping
- IEEE 802.1ag and ITU-T Y.1731 Service OAM
- Zero-Touch Provisioning for automated service activation
- ITU-T Y.1564 and IETF RFC 2544 Service Testing
- ITU-T G.8262 Sync-E and IEEE 1588v2 Timing
- ITU-T G.8031 and G.8032v2 Protection Switching
- Remote management through TELNET, SSH and SNMPv1/v2c/v3
- *NetOutlook*® EMS streamlines the management of complex networks with up to 10,000 NIDs
- Commercial (0 to 50°C), wide (-40° to 60°C) and extended (-40° to 75°C) temperature ranges



In the application example, a Service Provider offers metro/small cell coverage in addition to WiFi hot spot services. The multiport GM4-PoE NIDs provide full PoE power on each RJ-45 port, powering up to four PoE/PD devices.

GM4-PoE NIDs are available with two SFP fiber ports, and support G.8032 Ethernet Ring Protection Switching to enable resilient ring configurations. On-board contact closure monitors the equipment enclosures for unauthorized tampering.

The small cells and WiFi access points can be located outdoors, inside a building, or both. A GM4-PoE NID and the power supply can be installed in a compact NEMA enclosure for outdoor deployments.

INTERFACES

- Up to four 10/100/1000BASE-T Copper
- Up to two 100 or 1000BASE-X SFP fiber
- Small Form Pluggable (SFP) transceivers for standard or CWDM applications
- Port Mirroring

POWER OVER ETHERNET

- Power over Ethernet sourcing of 802.3af (15.4W), 802.3at (25.5W) and up to 60W
- Monitors attached PoE PDs through ping

TRAFFIC MANAGEMENT

- IEEE 802.1Q VLAN tagging and 802.1ad Q-in-Q VLAN stacking
- Service Multiplexing of up to 256 EVCs
- User-configurable EtherType
- Ingress and Egress traffic management
- CIR/EIR Color Aware “two rates, three colors” bandwidth profiles for ingress rate limiting
- Advanced Flow and CoS classification per Port, VLAN ID, PCP, IPv4/IPv6 (TOS/DiffServe) Priority, MAC address, IP address, TCP Port or L2CP
- Layer 2 Protocol Tunneling (L2PT) to encapsulate STP, VTP, PVST and CDP protocols (subscriber CISCO protocols)
- All ports configurable as UNI or NNI
- 10,240 byte Jumbo frames

PROTECTION AND REDUNDANCY

- ITU-T G.8031 Ethernet Linear Protection Switching
- ITU-T G.8032v2 Ethernet Ring Protection Switching with multi-ring protection and sub-ring support
- Sub-50ms failover for G.8031 and G.8032v2
- Link Failover 50ms protection switching
- Rapid Spanning Tree
- Link modes for port-to-port and UNI-to-UNI failure propagation

TIMING AND SYNCHRONIZATION

- ITU-T G.8262 Sync-E
- IEEE 1588v2 Transparent clock

SERVICE OAM AND TESTING

- IEEE 802.1ag End-to-End Connectivity Fault Management (CFM) – with 8 Maintenance Domain levels and 256 Maintenance Associations
- Supports IEEE 802.1ag Maintenance Intermediate Points (MIPs) for fault isolation
- ITU-T Y.1731 End-to-End Performance Monitoring
- Hardware-based Delay and Loopback measurement with nanosecond resolution
- Advanced classification and filtering of Layer 1, 2, 3 or 4 subscriber traffic as an EVC or CoS flow
- ITU-T Y.1731 threshold monitoring and threshold crossing alerts
- IEEE 802.3ah Ethernet Link OAM with dying gasp
- Zero-Touch Provisioning
- DEMARC Auto-Configuration (DAC) for DPoE Networks
- ITU-T Y.1564 Ethernet Service Activation testing with multi-flow testing of information rate, latency, jitter and frame loss
- RFC 2544 built-in test-head with wire-speed, per flow testing of throughput, latency, jitter and loss
- ITU-T Y.1564 and RFC 2544 test heads support generation/reception of in-service and out-of-service L2, L3 and L4 frames
- Test-heads with configurable rate-limiting to isolate provisioning and network issues
- Per-port and per-flow Loopback with MAC swap
- Compatible with third party in-band loopback testing
- Built-in UTP cable tester for troubleshooting through to the Customer Equipment

NETWORK MANAGEMENT

- Remote management via TELNET, SSH, SNMPv1/v2c/v3
- SNMP management of up to 10,000 devices with *NetOutlook*[®] Element Management System
- SNMP management using *NetOutlook*[®] Network Management software
- MEF 30 and 31 Service OAM Fault Management MIBs
- IP-less management through 802.3ah OAM extensions

SPECIFICATIONS

| | |
|-------------------------------|--|
| Description | 10/100/1000BASE-T to 100BASE-FX or 1000BASE-X Network Interface Device with Power over Ethernet |
| Protocols | 10BASE-T, 100BASE-TX, 1000BASE-T, 100BASE-FX, 1000BASE-X |
| PoE Protocols | IEEE 802.3af, IEEE 802.3at and 60W PoE |
| Other Protocols | TCP/IP, ICMP, ARP, RSTP, SNTP, DAYTIME, ELPS |
| IP-Based Management | Telnet, SNMPv1, SNMPv2c, SNMPv3, SSH |
| Certified Compliances* | UL, cUL, CE, FCC Class A, NEBS 3, MEF 9, MEF 14, MEF 21, MEF 30, MEF 31 |
| Frame Size | Up to 10,240 bytes |
| UTP Cable | EIA/TIA 568 A/B, Category 5 and higher |
| Fiber Cable | Multimode: 50/125um, 62.5/125um, 100/140um Single-mode: 9/125um |
| Serial Cable | EIA/TIA 568 A/B, Category 3 and higher |
| Copper Connector | RJ-45 |
| Fiber Connectors | SFP: Any MSA Standard LC transceiver, RJ-45 (100, 1000 or 10/100/1000Mbps) Dual Fiber: SC, ST Single Fiber: SC |
| Serial Connector | RJ-45 |
| Temperature | Standard Operating: 0 to 50° C Wide Operating: -40 to 60° C Storage: -40 to 80° C |

* Pending

| | |
|---------------------------------|--|
| DC Power Input Connector | All models (except 8991T-14, 8991T-23): 2.1 mm Barrel Connector or 3-Pin Terminal Connector 8991T-14, 8991T-23: DIN-6 Connector or 3-Pin Terminal Connector |
| DC Power | 10-60 VDC 1.5A @ 12VDC (typical) 0.4A @ 48VDC (typical) |
| AC Power Adapter | 100 - 240VAC/60Hz 0.2A @ 120VAC (typical) |
| Dimensions | W: 5" x D: 7.5" x H: 1.375" |
| Weight | without Power Adapter: TBD with Power Adapter: TBD |
| Humidity | 5% to 95% (non-condensing) |
| Altitude | -100m to 4,000m |



ORDERING INFORMATION

8 9 9 1 x - x x - x x

| | | |
|--|---------|--|
| | <Blank> | Standard Operating Temperature Range Model |
| | W | Wide Operating Temperature Range Model |
| | D | External US AC Power Supply |
| | E | External Universal AC Power Supply |
| | F | DC Terminal Power |
| | 11 | 1 SFP Port and 1 RJ-45 PoE Port |
| | 14 | 1 SFP Port and 4 RJ-45 PoE Ports |
| | 22 | 2 SFP Ports and 2 RJ-45 PoE Ports |
| | 23 | 2 SFP Ports and 3 RJ-45 PoE Ports |
| | S | 30W PoE (802.3af, 802.3at) |
| | T | 60W PoE (802.3af, 802.3at, 60W) |
| | L | 60W PoE (120W Combined Ports PoE) |

Please consult Omnitron for other configurations.

© 2013 Omnitron Systems Technology, Inc. All rights reserved. iConverter and NetOutlook are registered trademarks of Omnitron Systems Technology, Inc. Trademarks are owned by their respective companies. Specifications subject to change without notice.
091-08991-001A 9/13



800-675-8410 • 949-250-6510 • www.omnitron-systems.com • info@omnitron-systems.com • 38 Tesla, Irvine, CA 92618