



Industrial Copper to Fiber Media Converter



- 1-Port 10/100BaseT(X) (RJ45), 100BaseFX (Multi/Single Mode, SC/ST Connector)
- Long Transmission Distance of 30 km (on request)
- Rigid Aluminum Case
- Redundant DC Power Input
- -10 to 70 °C Operating Temperature
- DIN-Rail Kit
- Link Lose Forwarding Technology

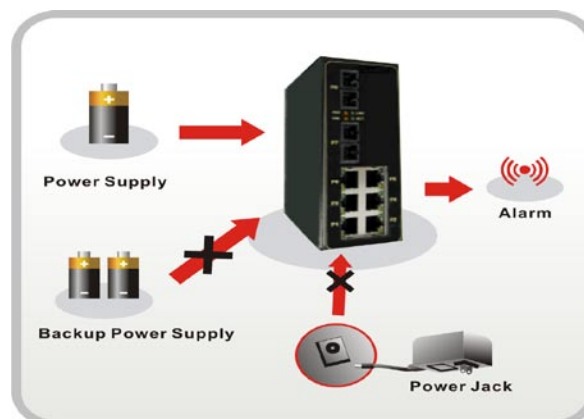
Part Number	Description
See order chart	Industrial Copper to Fiber Media Converter

Description

This Industrial Ethernet Copper to Fiber Media Converter is designed for a demanding network environment, the built-in smart alarm function allows for maximum security. This product has a wide operating temperature and a high degree of vibration and shock. It provides IP30 aluminum case, DIN-rail kit and redundant power inputs.

Redundant Power Inputs

The Industrial Media converter provides two power inputs that can be connected simultaneously to live DC power source. If one of the power input fails, the other live source acts as a backup to automatically support the converters power needs.



Features

Network Switching Technology

- 1 10/100BaseT(X) (RJ45) port and 100BaseFX (Multi/Single Mode, SC/ST Connector)
- Support IEEE 802.3 / 802.3u / 802.3x
- 10/100M, Full/Half-Duplex, MDI/MDI-X auto sensing
- Built-in link lose forwarding technology

Industrial Reliability

- Power failure, port break alarm by relay output
- Redundant DC power inputs

Rigid Design

- Operating temperature from -10 to 70°C
- Storage temperature from -40 to 80°C
- IP 30, rigid metal case
- DIN-Rail / Wall-mounting / Desktop Installation

Technical Specification

Technology

Standards	IEEE802.3, 802.3u, 802.3x
Processing Type	Store and Forward
Flow Control	IEEE802.3x flow control, back pressure flow control
Filtering/Forwarding Rates	100 Mbps port – 148,800pps 10 Mbps port – 14,880pps
Transmission Media	10BaseT Cat. 3, 4, 5 UTP/STP 100BaseTX Cat. 5 UTP/STP

Interface

RJ45 Ports	1 10/100BaseT(X) auto-negotiation speed, F/H-Duplex mode, and auto-MDI/MDI-X connection
Fiber Ports	1 100BaseFX port (Multi/Single Mode, SC/ST Connector)
LED Indicators	Power, Faults, 10/100M, Link/Act and HDX/FDX
DIP Switch	Port break alarm
Alarm Contact	One relay output with current carrying capacity of 1A @ 24 VDC

Optical Fiber

Fiber Distances	ML-245F122 Multi mode fiber 2 km ML-245F123 Single mode fiber 30 km
-----------------	--

Power

Input Voltage	24VDC (12 to 48 VDC), redundant inputs
Connection	Removable 6-pin Terminal Block
Power Consumption	4.6 Watts
Reverse Polarity Protection	Present

Mechanical

Casing	IP30 protection, metal case
Dimensions	53 x 135 x 105 mm (W x H x D)
Weight	600 g
Installation	DIN-Rail, Wall-mounting, Desktop

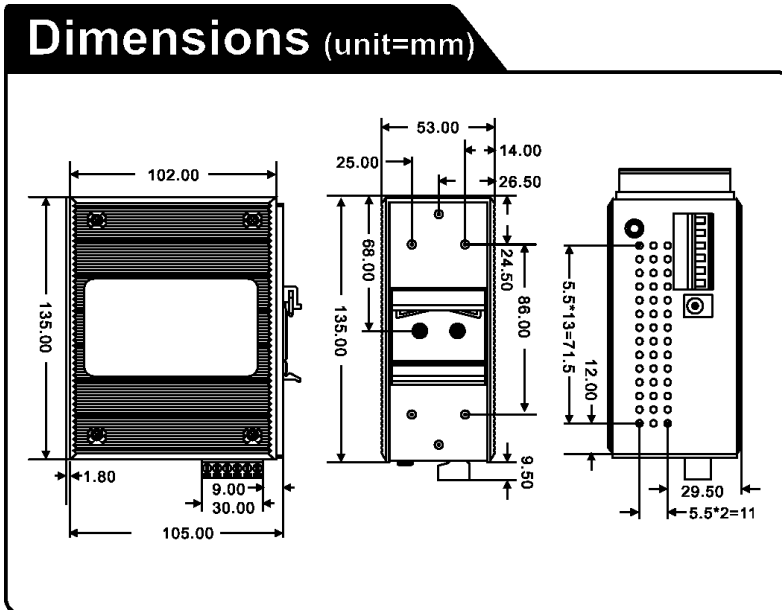
Environment

Operating Temperature	-10 to 70°C
Storage Temperature	-40 to 80°C
Humidity	5 to 95% RH (non-condensing)

Approvals

Safety	UL, CUL, CE, EN60950
EMI	FCC Part 15
EMS	EN61000-4-2 (ESD), EN61000-4-3 (RS), EN61000-4-4 (EFT), EN61000-4-5 (Surge), Level 3, EN61000-4-6 (CS), Level 3
Shock	IEC60068-2-27
Free Fall	IEC60068-2-32
Vibration	IEC60068-2-6

Dimensions



Order Configuration Chart

	ML-245F122	ML-245F123
Numbers of Port 10/100BaseTX	1	1
Numbers of Port 100BaseFX	1	1
Multimode	X	
Singlemode		X