



Industrial 6-port 10/100 BASE TX + 2-port 10/100/1000 Base TX Unmanaged Redundant Ethernet Switch



- Rigid Aluminum Case
- Redundant DC Power Input
- Broadcast Storm Protection
- -10 to 70 °C Operating Temperature
- DIN-Rail Kit
- Link Lose Forwarding Technology

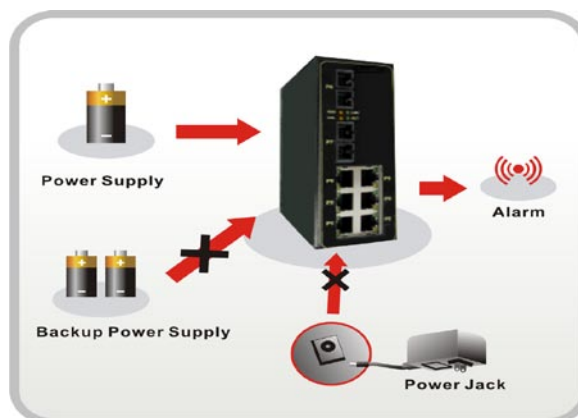
Part Number	Description
SL-443F111	Industrial 6-port 10/100BaseTX + 2-port 10/100/1000BaseTX Gigabit Unmanaged Redundant Ethernet Switch

Description

Lanopia's **6-port 10/100BaseTX + 2-port 10/100/1000BaseTX** Industrial Gigabit Ethernet Switch is designed for a demanding network environment, the built-in smart alarm function allows for maximum Network security. This product has a wide operating temperature and a high degree of vibration and shock. It provides IP30 aluminum case, DIN-rail kit and redundant power inputs.

Redundant Power Inputs

Each Switch provides two power inputs that can be connected simultaneously to live DC power source. If one of the power input fails, the other live source acts as a backup to automatically support the Switches power needs.



Features

Network Switching Technology

- 6 10/100BaseT(X) + 2 10/100/1000BaseTX (RJ45) ports
- Support IEEE 802.3 / 802.3u / 802.3ab / 802.3x
- 10/100/1000M, Full/Half-Duplex, MDI/MDI-X auto-sensing
- Built-in link lose forwarding technology
- Non-blocking switching performance

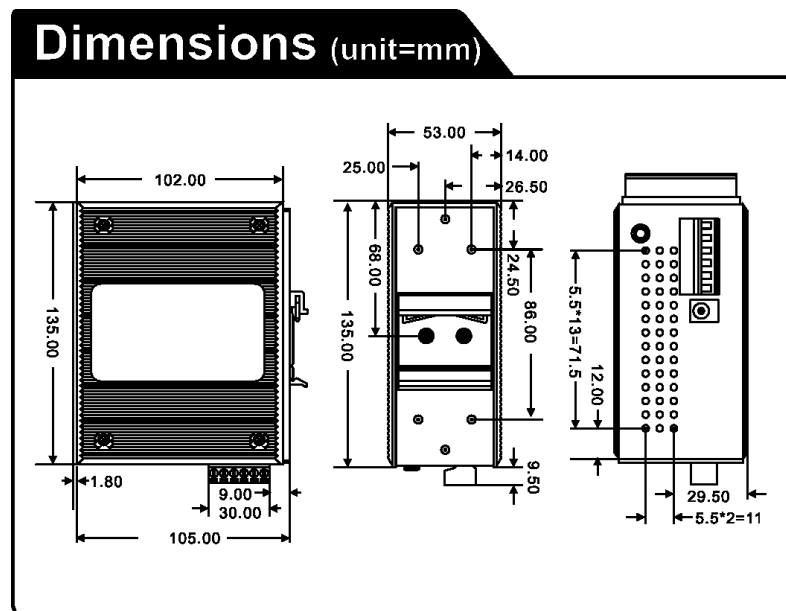
Industrial Reliability

- Power failure, port break alarm by relay output
- Redundant DC power inputs

Rigid Design

- Operating temperature from -10 to 70°C
- Storage temperature from -40 to 80°C
- IP 30, rigid metal case
- DIN-Rail / Wall-mounting / Desktop Installation

Dimensions



Technical Specification

Technology

Standards	IEEE802.3, 802.3u, 802.3ab, 802.3x
Packet Buffer Memory	1024KB
Processing Type	Store and Forward
MAC Address	2K
Flow Control	IEEE802.3x flow control, back pressure flow control
Filtering/Forwarding Rates	1000Mbps port – 1,488,000pps 100Mbps port - 148,800pps 10Mbps port - 14,880pps
Transmission Media	10BaseT Cat. 3, 4, 5 UTP/STP 100BaseTX Cat. 5 UTP/STP 1000BaseTX Cat. 5 UTP/STP

Interface

RJ45 Ports	6 10/100BaseT(X) + 2 10/100/1000BaseTX auto-negotiation speed, F/H-Duplex mode, and auto-MDI/MDI-X connection
LED Indicators	Power, Faults, 10/100M, 1000M, Link/Act and HDX/FDX
DIP Switch	Port break alarm
Alarm Contact	One relay output with current carrying capacity of 1A @ 24 VDC

Power

Input Voltage	24VDC (12 to 48 VDC), redundant inputs
Connection	Removable 6-pin Terminal Block
Power Consumption	5.1 Watts
Reverse Polarity Protection	Present

Mechanical

Casing	IP30 protection, metal case
Dimensions	53 x 135 x 105 mm (W x H x D)
Weight	670 g
Installation	DIN-Rail, Wall-mounting, Desktop

Environment

Operating Temperature	-10 to 70°C
Storage Temperature	-40 to 80°C
Humidity	5 to 95% RH (non-condensing)

Approvals

Safety	UL, CUL, CE, EN60950
EMI	FCC Part 15
EMS	EN61000-4-2 (ESD), EN61000-4-3 (RS), EN61000-4-4 (EFT), EN61000-4-5 (Surge), Level 3, EN61000-4-6 (CS), Level 3
Shock	IEC60068-2-27
Free Fall	IEC60068-2-32
Vibration	IEC60068-2-6