



## Industrial 5 and 8-port Unmanaged Redundant Ethernet Switch



- Rigid Aluminium Case
- Redundant DC Power Input
- Broadcast Storm Protection
- -10 to 70 °C Operating Temperature
- DIN-Rail Kit
- Link Lose Forwarding Technology

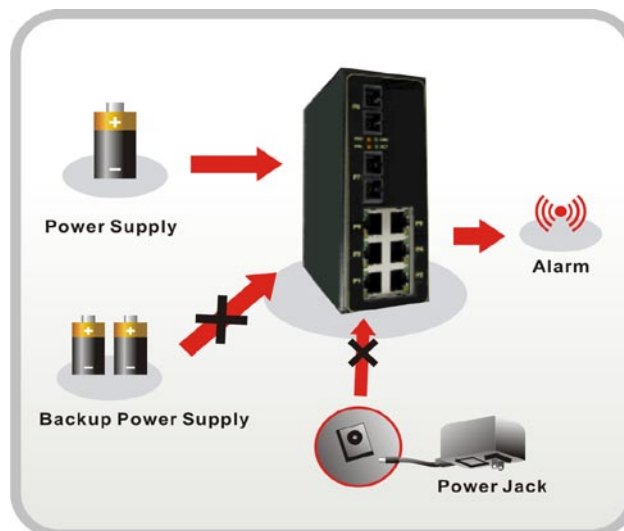
Part Number	Description
See order chart	Industrial 5 and 8-port Unmanaged Redundant Ethernet Switch

### Description

The Lanopia 5- and 8-port Industrial Ethernet Switches are designed for a demanding network environment, Ethernet connection and the built-in smart alarm function. These products have a wide operating temperature and a high degree of vibration and shock. They provide IP30 aluminum case, DIN-rail kit and redundant power inputs.

### Redundant Power Inputs

Both Switches provide two power inputs that can be connected simultaneously to live DC power source. If one of the power input fails, the other live source acts as a backup to automatically support the Switch power needs.



## Features

### Network Switching Technology

- 5/8 10/100Base T(X) (RJ45) ports
- Support IEEE 802.3 / 802.3u / 802.3x
- 10/100M, Full/Half-Duplex, MDI/MDI-X auto sensing
- Built-in link lose forwarding technology
- Non-blocking switching performance

### Industrial Reliability

- Power failure, port break alarm by relay output
- Redundant DC power inputs

### Rigid Design

- Operating temperature from -10 to 70°C
- Storage temperature from -40 to 80°C
- IP 30, rigid metal case
- DIN-Rail / Wall-mounting / Desktop Installation

## Technical Specification

### Technology

Standards	IEEE802.3, 802.3u, 802.3x
Packet Buffer Memory	512KB / 1024KB
Processing Type	Store and Forward
MAC Address	1K / 2K
Flow Control	IEEE802.3x flow control, back pressure flow control
Filtering/Forwarding Rates	100 Mbps port – 148,800pps 10 Mbps port – 14,880pps
Transmission Media	10BaseT Cat. 3, 4, 5 UTP/STP 100BaseTX Cat. 5 UTP/STP

### Interface

RJ45 Ports	5/8 10/100BaseT(X) auto-negotiation speed, F/H-Duplex mode, and auto-MDI/MDI-X connection
LED Indicators	Power, Faults, 10/100M, Link/Act and HDX/FDX
DIP Switch	Port break alarm
Alarm Contact	One relay output with current carrying capacity of 1A @ 24 VDC

### Power

Input Voltage	24VDC (12 to 48 VDC), redundant inputs
Connection	Removable 6-pin Terminal Block
Power Consumption	3.1 / 5.1 Watts
Reverse Polarity Protection	Present

### Mechanical

Casing	IP30 protection, metal case
Dimensions	53 x 135 x 105 mm (W x H x D)
Weight	642 g
Installation	DIN-Rail, Wall-mounting, Desktop

### Environment

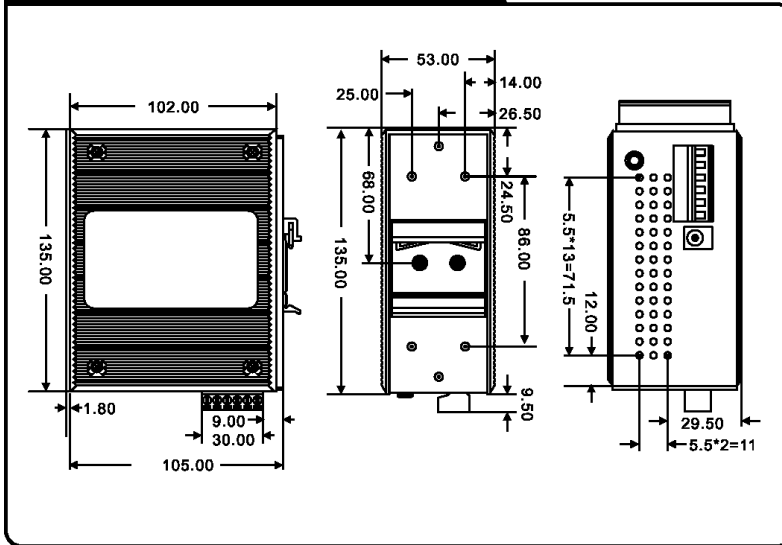
Operating Temperature	-10 to 70°C
Storage Temperature	-40 to 80°C
Humidity	5 to 95% RH (non-condensing)

### Approvals

Safety	UL, CUL, CE, EN60950
EMI	FCC Part 15
EMS	EN61000-4-2 (ESD) EN61000-4-3 (RS) EN61000-4-4 (EFT) EN61000-4-5 (Surge), Level 3 EN61000-4-6 (CS), Level 3
Shock	IEC60068-2-27
Free Fall	IEC60068-2-32
Vibration	IEC60068-2-6

## Dimensions

## Dimensions (unit=mm)



## Order Configuration Chart

	SL-241F111	SL-441F111
Numbers of Port 10/100BaseTX	5	8